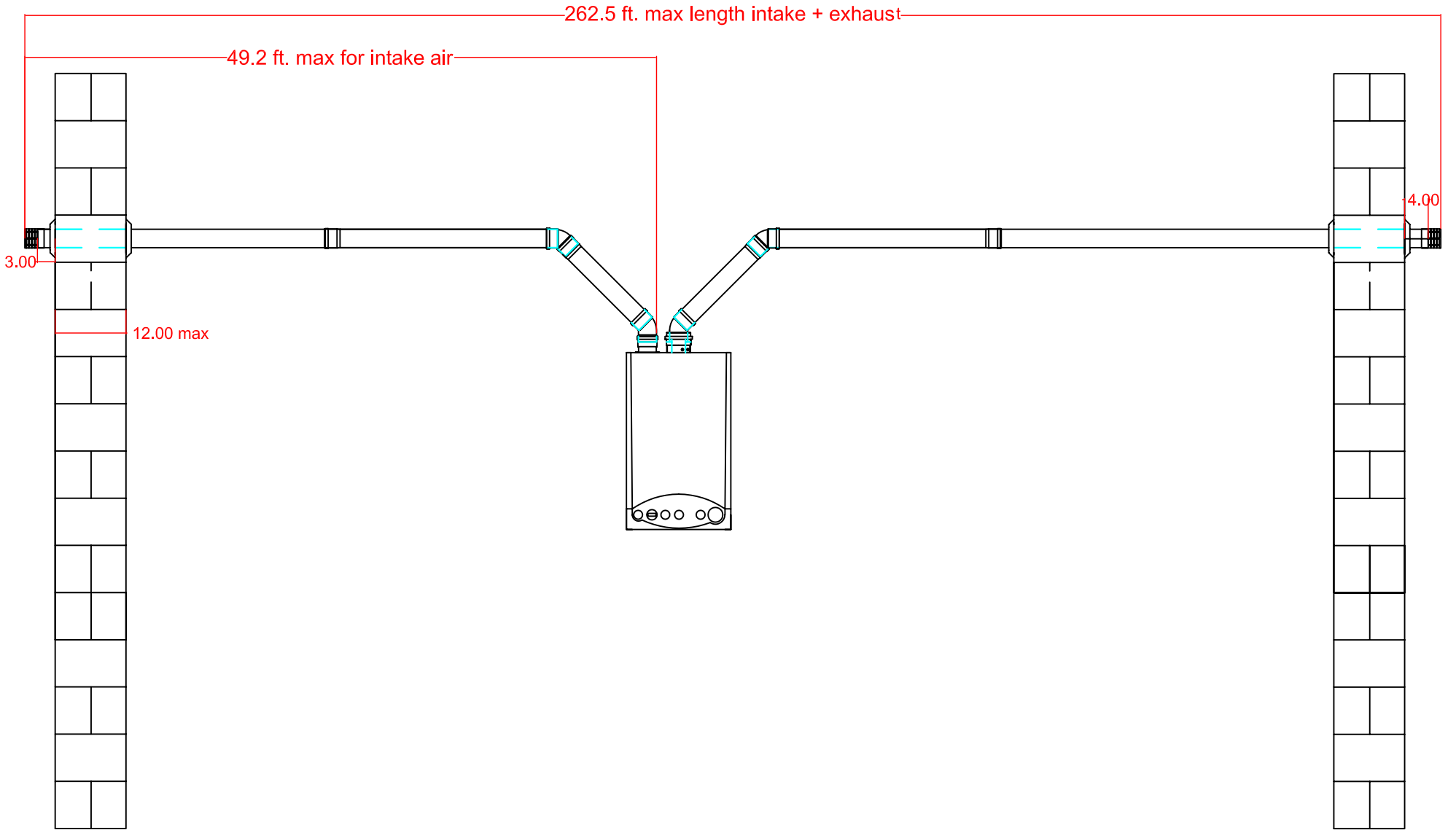
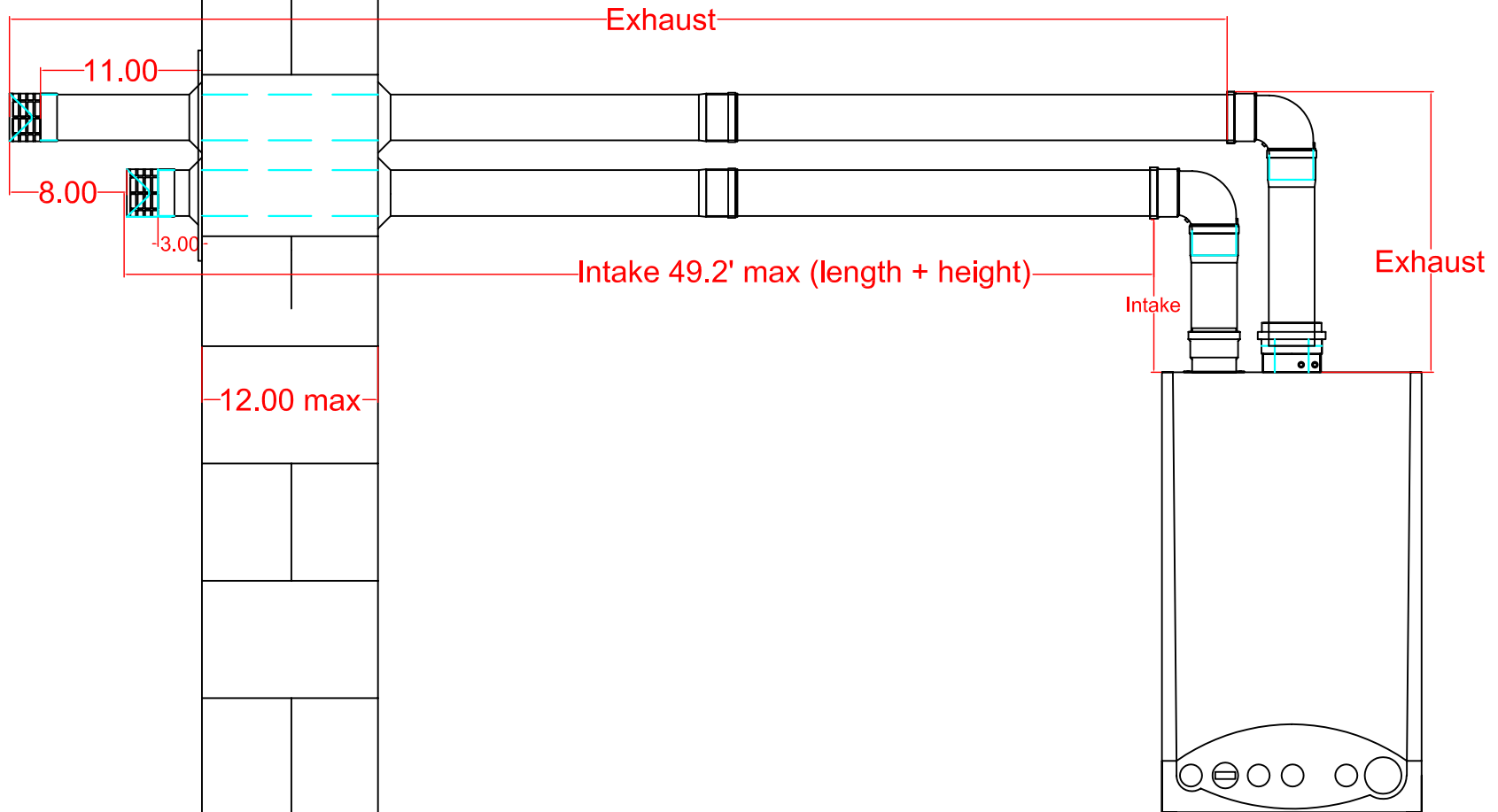


# HT-330 & HT -1.330 Concentric Venting

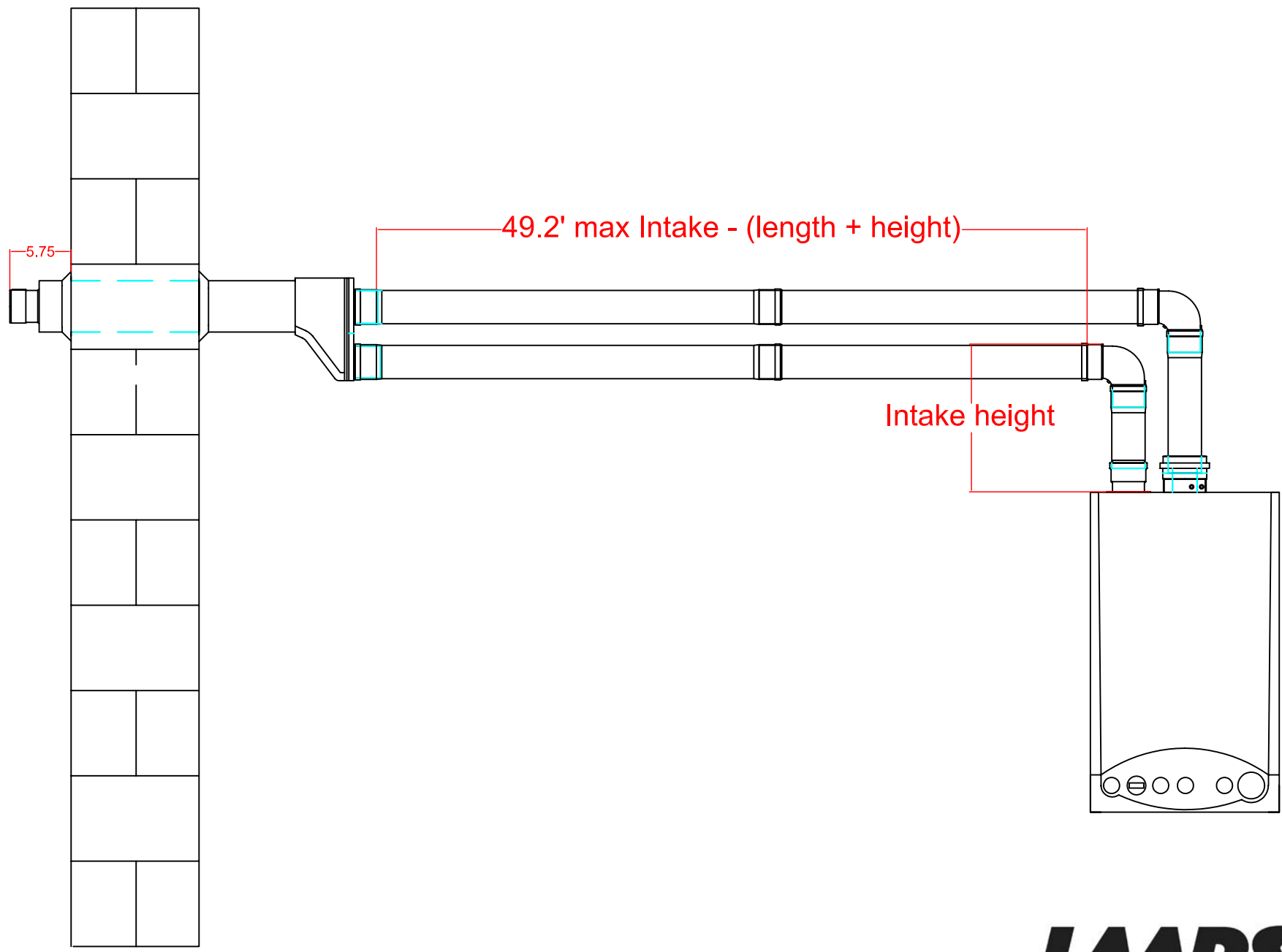


HT-330 & HT -1.330 Two - Pipe Venting to Separated Horizontal Flue Terminations

106 feet combined max. length intake and exhaust. Exhaust + Intake (49') = 106



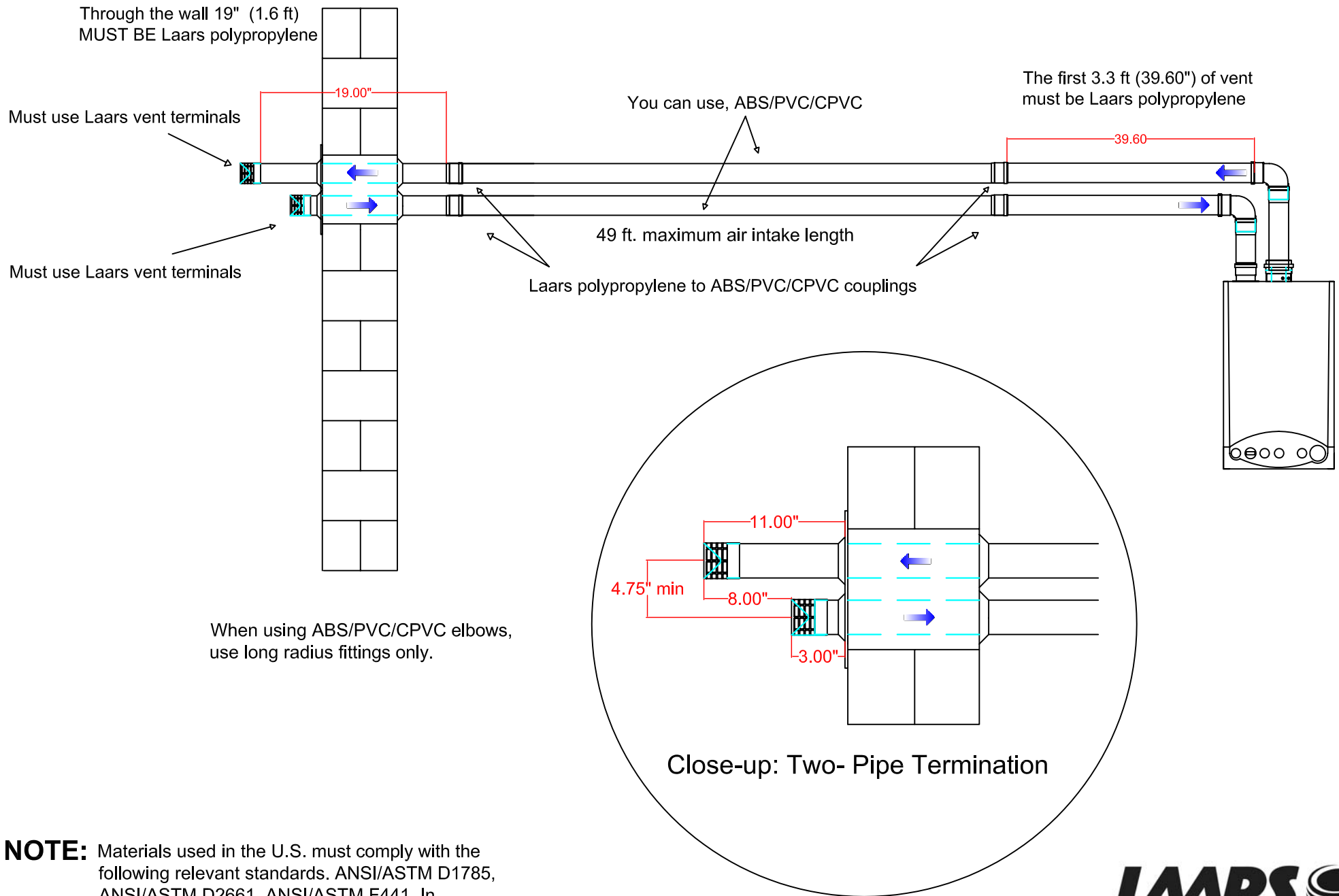
HT-330 & HT -1.330 Two-Pipe  
Venting Same Horizontal Wall



HT-330 & HT -1.330 Two - Pipe Venting to Concentric Termination

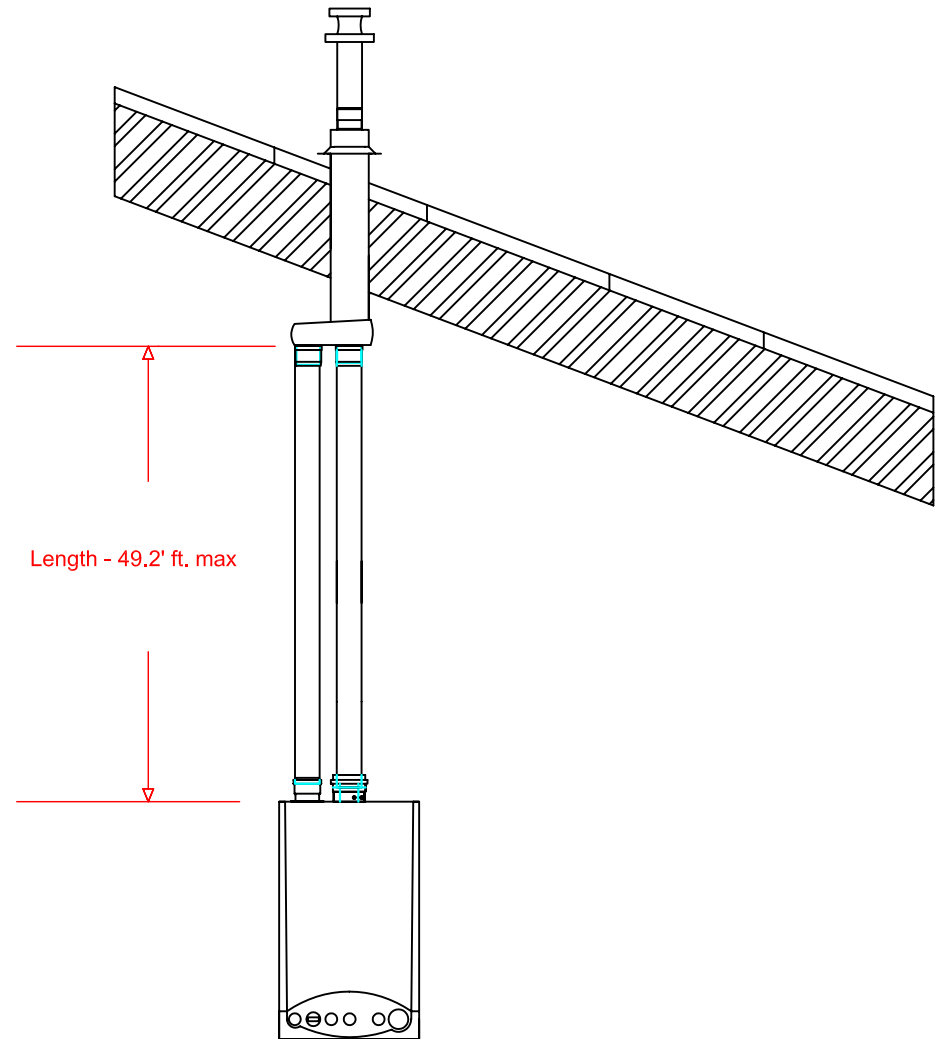
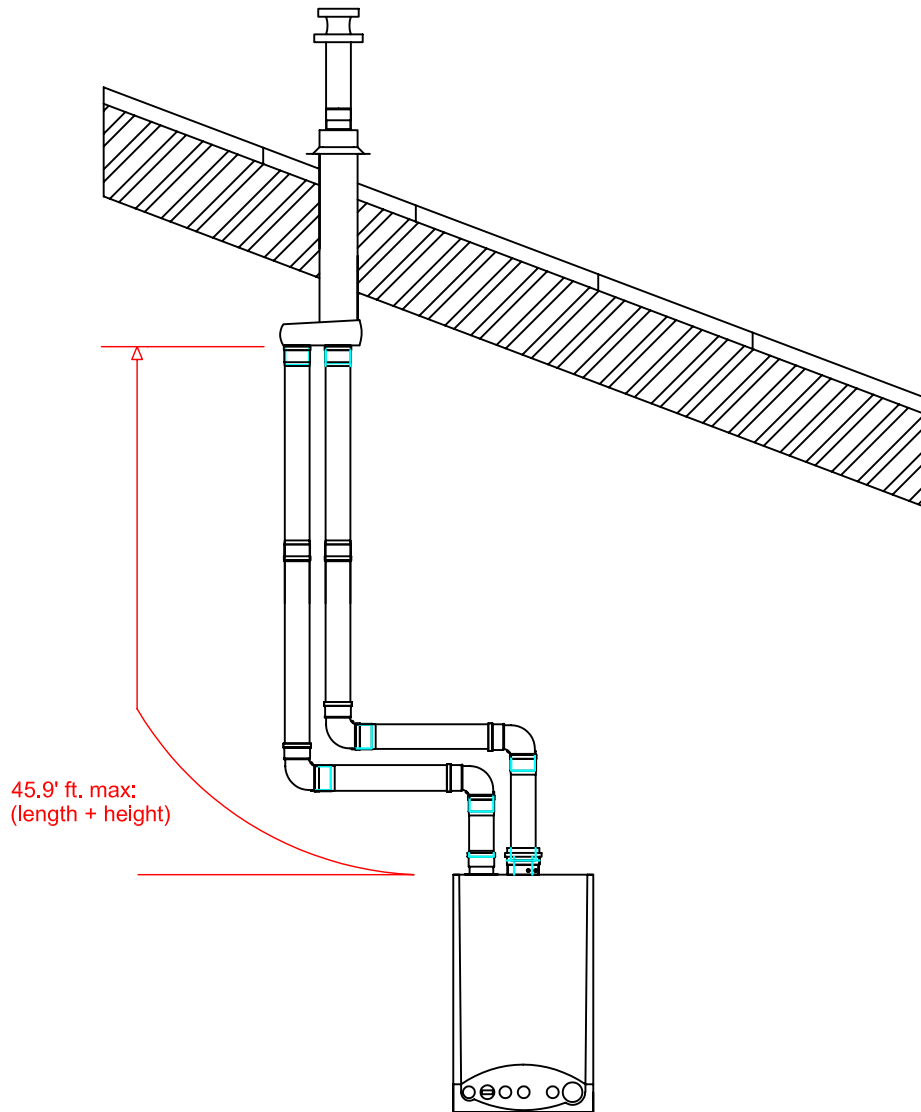


# Using ABS/PVC/CPVC with Two Pipe Air Vent

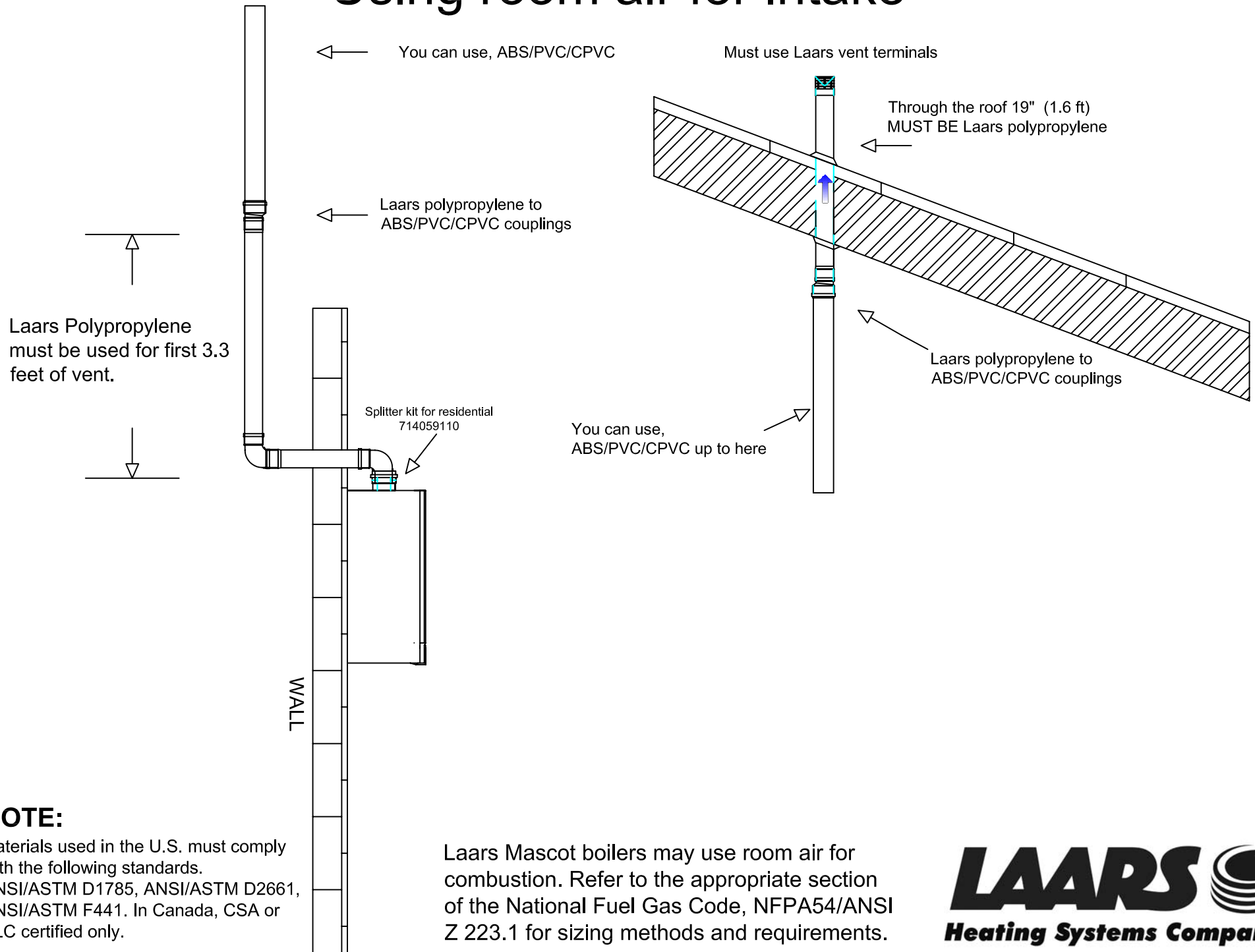


**NOTE:** Materials used in the U.S. must comply with the following relevant standards. ANSI/ASTM D1785, ANSI/ASTM D2661, ANSI/ASTM F441. In Canada, CSA or ULC certified only.

# Separated Vertical Flue terminals from two pipe to concentric



# Using room air for intake



## NOTE:

Materials used in the U.S. must comply with the following standards. ANSI/ASTM D1785, ANSI/ASTM D2661, ANSI/ASTM F441. In Canada, CSA or ULC certified only.

Laars Mascot boilers may use room air for combustion. Refer to the appropriate section of the National Fuel Gas Code, NFPA54/ANSI Z 223.1 for sizing methods and requirements.

**LAARS**   
**Heating Systems Company**