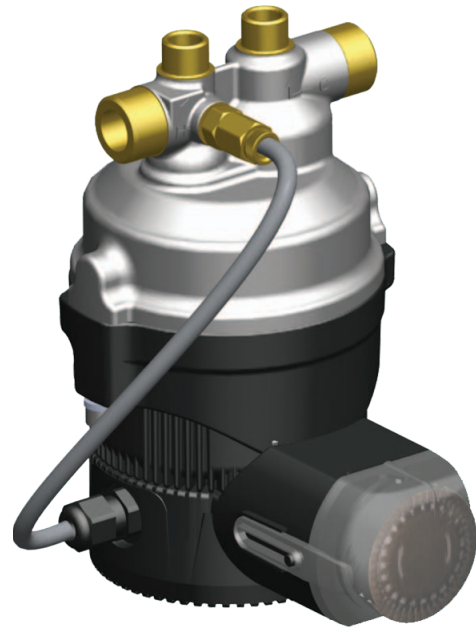


- No return line required
- Compact spherical motor design
- Energy efficient ECM motor
- Silent operation
- Built-in temperature control
- Built-in 24 hour timer with multiple on/off settings
- Suitable for tankless water heater
- 6 foot power cord



ecocirc[®] B 23-5 ACT

UNDERSINK PUMP FOR POTABLE WATER SYSTEMS

Energy Efficient • Permanent Magnet Electronically Commutated Motor

Description

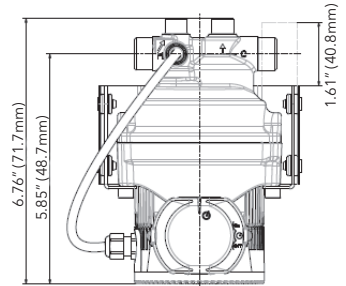
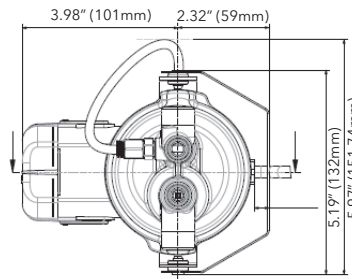
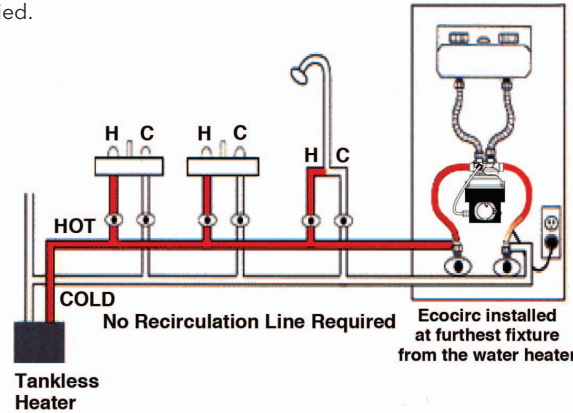
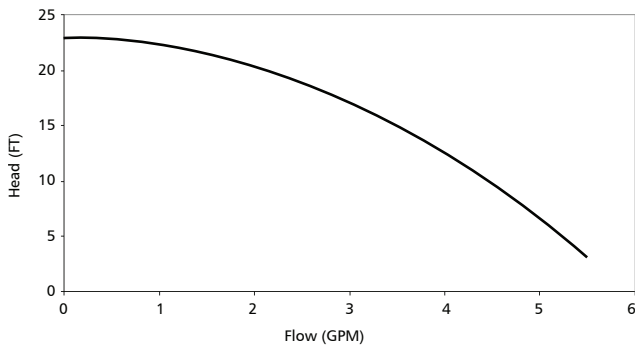
The ecocirc B 23-5 ACT lead-free* pump was designed with highly efficient electronically commutated permanent magnet motor (ECM/PM technology) specifically for potable water systems. This unique design is perfect for retrofits and systems with tankless water heaters. No recirculation pipe is required.

Control Mode

The pump is controlled by a timer and thermostat. A built-in temperature sensor automatically turns the pump ON when the water temperature in the hot water supply line cools down to 89.6°F (32°C). The pump turns OFF automatically when water temperature reaches 95°F (35°C), ensuring instant availability of warm water with hot water only seconds behind. The pump is also equipped with 24 hour, adjustable timer to provide the most cost effective method of operation. The timer can be programmed to run only during the time periods when hot water is most frequently required.

* As defined, by CA AB1953. Less than 0.25% on wetted surface area. NSF certified.

Performance Curve of ecocirc 23-5 ACT Pump



Available Models

Part Number	Control Mode	Model	Power Consumption	Weight
6050B7016	Temperature and Timer	ecocirc B 23-5 ACT	60 W	6.50 lb

Specification

The contractor shall furnish and install hot water recirculation pumps as illustrated on the plans and in accordance with the following specifications:

1. The pumps shall be of the high efficiency type specifically designed for quiet operation.
2. Pump to be suitable for 203°F (110°C) operation at 150 psig (10 Bar) working pressure and 115V, 60Hz, 1Phase power.
3. The pumps shall have a shaft-less, wet rotor design with a ceramic ball bearing lubricated by the system fluid.
4. Pump to have built-in temperature sensor and 24-hour, adjustable timer.
6. Motor shall be spherical with an electronically commutated, permanent magnet motor (ECM/PM).
7. Motor shall be non-overloading at any point on the pump curve and shall have built in overload protection.
8. Pumps to have a capacity of ___GPM at ___foot of head.
9. All pumps to be supplied by Bell & Gossett.



Xylem, Inc.
 8200 N. Austin Avenue
 Morton Grove, Illinois 60053
 Phone: (847) 966-3700
 Fax: (847) 965-8379
www.xyleminc.com/brands/bellgossett

Bell & Gossett is a trademark of Xylem, Inc. or one of its subsidiaries.
 © 2012 Xylem, Inc. A-161B July 2012