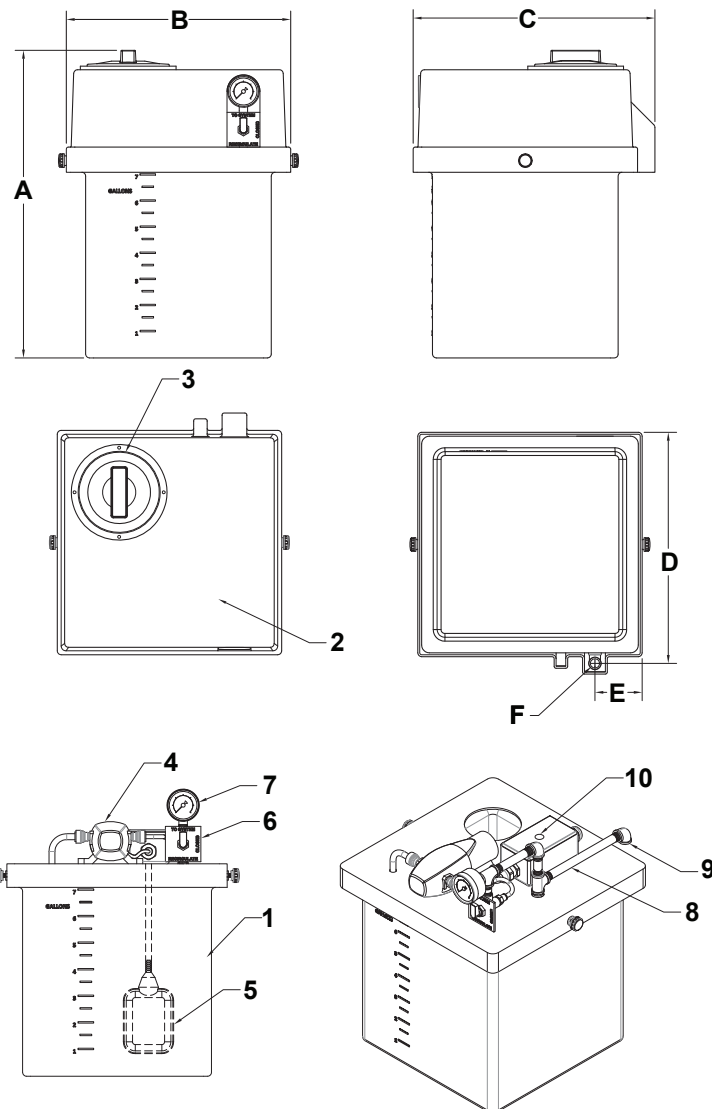


J.L. WINGERT CO.

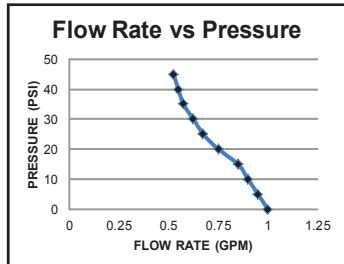
Specification Sheet MODEL CGL / COMPACT GLYCOL FEED SYSTEM

SS161006.A 02/15



SPECIFICATIONS:

ITEM	MODEL	DESCRIPTION
1	TANK:	
	CGL7	7 Gallon polyethylene tank with gallon markings
	CGL10	10 Gallon polyethylene tank with gallon markings
	CGL17	17 Gallon polyethylene tank with gallon markings
2	COVER:	
	ALL	Polyethylene cover with integrated fill funnel
3	MANWAY:	
	ALL	4" Vented manway
4	PUMP:	
	ALL	1.0 GPM pump with integrated pressure switch, suction check valve, and discharge check valve
5	LOW LEVEL SWITCH:	
	ALL	Low level switch to stop pump upon low level
6	SYSTEM VALVE:	
	ALL	3-way ball valve, select between recirculate, closed, or system
7	PRESSURE GAUGE:	
	ALL	2" 0-60 PSI pressure gauge
8	DISCHARGE MANIFOLD:	
	ALL	304 Sch40 stainless steel pipe and fittings with brass 60 PSI pressure relief valve
9	DISCHARGE CONNECTION:	
	ALL	1/4" FNPT
10	FUSE HOLDER:	
	ALL	2 Amp slow blow fuse
ELECTRICAL:		115VAC/1Ph/60Hz, 8ft Nema 5-15R power cord
MAX PRESSURE:		45 PSI (3.1 BAR)
SUCTION ASSEMBLY:		110° F (43.3° C)



DIMENSIONS:

	CGL7	CGL10	CGL17
A	19 7/8"	25 7/8"	37 7/8"
B	14 1/2"	14 1/2"	14 1/2"
C	15 5/8"	15 5/8"	15 5/8"
D	14 15/16"	14 15/16"	14 15/16"
E	3 1/16"	3 1/16"	3 1/16"
F	1/4" FNPT	1/4" FNPT	1/4" FNPT

Note: All dimensions are +/- 1/8". All weights are approximate. All dimensions are subject to change without notice.