



SINCE 1908
wessels
 company

SUBMITTAL

GMP-SERIES

GLYMATIC GLYCOL MAKE-UP PACKAGE

Models: G-6 thru G-18

Submittal Sheet No. I-1101A

Date: 7/12

Job Name _____	Submitted By _____	Date _____
Location _____	Approved By _____	Date _____
_____	Order No. _____	Date _____
Engineer _____	Notes _____	
Contractor _____	_____	
Sales Rep. _____	_____	

Description

The GMP is fully automated and autonomous. Comes complete with 110V pressurization pump with integral pressure control, pressure reducing valve and gauge, and translucent polyethylene solution container with lid designed to accommodate relief piping.

Performance Limitations

Maximum Temperature: 130°F
 Factory Discharge Pressure Setting: 12 PSIG
 Maximum Discharge Pressure: 60 PSIG

Available Options

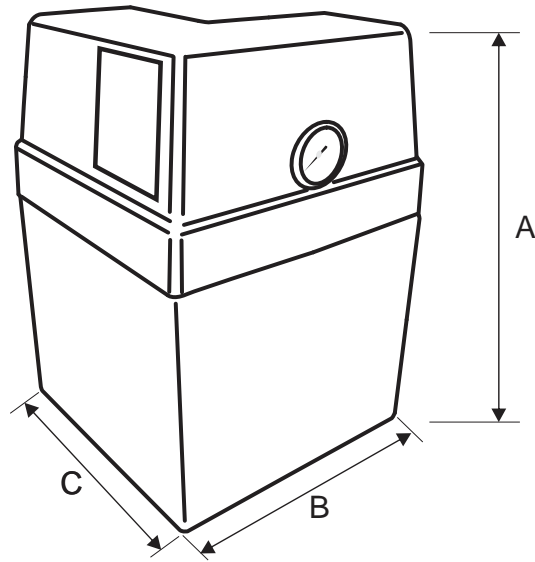
- Alarm kit with panel and float
- Wall mounting shelf for GMP-6

Model Number	Part Numer	Tank Volume (Gallons)	Tagging Information	Quantity
GMP-6	07001006	6		
GMP-18	07001018	18		

Typical Specification

The contractor shall supply and install, as indicated on the plans and in the specifications, a prefabricated, automatic and autonomous make-up package for each glycol system. The package shall be designed to occupy a minimum amount of floor space to operate on a 110V motor, 60 Hz electrical circuit, and to maintain a fill pressure in the glycol system of _____psig. The pressurization assembly shall consist of a pressurization pump with pressure controls, a PRV, and a pressure gauge to continuously monitor PRV outlet pressure. The pressurization assembly shall be mounted on the translucent polyethylene solution container, complete with cover

Each glycol make-up package shall be model GMP - _____ as manufactured by Wessels Company or approved equal.



G-6 thru G-18

Dimensions & Weights

Model Number	Dimensions In Inches			System Connection	Approx Shipping Weight (lbs)
	A	B	C		
GMP-6	17 1/2	12	12	1/2" NPT	16
GMP-18	39 1/4				25