

ENGINEERING DATA

LCH 70.1200A HRV

Heat Recovery Ventilator

700 CFM (330 L/s) to 1200 CFM (566 L/s)

Item No. 101088 (LCH 70.1200A)



FEATURES

- 3 operating modes (Intermittent, Continuous & High)
- 100% variable speed
- Proportional defrost sequence
- Permanent lubrication of PSC motors

APPLICABLE REQUIREMENTS

- CSA C439 Standard - Packaged heat/energy recovery ventilators (HRV/ERV)
- CSA Standard CSA 22.2 N^o.113-10 - Fans and ventilators
- UL Standard 1812 2nd Ed. Ducted heat/energy recovery ventilators (HRV/ERV)

CABINET

- 20 gauge galvanized pre-painted steel corrosion resistant

ELECTRONIC COMPONENTS

- Electrical Input Voltage: 120 VAC/60Hz / 1-Phase
- Electrical Input Current: 5 Amps Max
- Circuit output voltage: 5 VDC nominal
- Integrated auxiliary furnace interlock relay
- Integrated 24V connection
- 24V/40A transformer, 24 VAC 10-15A UL/CSA relay
- RoHs compliant

MOTORS

- Two permanent sealed, lubricated variable speed PSC Motors. (Maintenance free)
- Maximum RPM 3065/Horsepower; ½ HP, Class F, thermally protected
- CSA 22.2 #113-10, clause 8.3.5
 - Backup protection – totally enclosed motor

ALUMINUM HRV CORE

- Dimensions (3) 12" x12" x15" depth (304.8 mm x 304.8 mm x 381 mm)
- Corrugated cross-flow aluminum layers, UL94 HF-1
- Cross-flow that transfers sensible heat
- Endure harsh temperatures; effective in cold climates
- Water washable

BALANCING THE SYSTEM

- The system is balanced by adjusting each motor independently
- No balancing dampers required
- Connection terminals for optional wall controls
- Quiet and energy efficient

DEFROST

- Advanced Proportional supply fan shut down defrost sequence
- Defrost type: Evacuation
 - Activated automatically at -5°C (23°F)

DUCT CONNECTIONS

- (4) 8" x 20" (203 mm x 508 mm)

MOUNTING

- Saddle installation
- Suspended installation with threaded rod (not included)

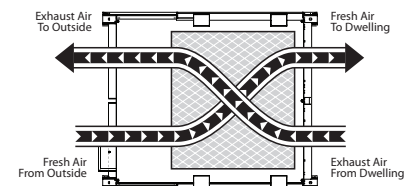
FILTERS

- Six (6) Fiberbond washable - 11½" x 15" x ½" (295.3 mm x 381 mm x 15.9 mm)
- UL Class 2 rated

WARRANTY

- 2 year limited warranty on motors
- 2 year limited warranty on parts
- 15 year limited warranty on Heat Recovery Core

AIRFLOW (Top View)



Imperial Air Technologies

480 Ferdinand Blvd.,
Dieppe, NB Canada E1A 6V9

Toll free: 1 888 724-5211
Fax: 1 (506) 388-4633

Visit us at: www.greentek.ca / www.imperialgroup.ca

PP0781 / AUG2014



Imperial Air Technologies Inc. reserves the right to modify a product, without prior notice, whether in design, colour or specifications, in order to offer at all times a quality product that is highly competitive. Please consult your national and local building codes to find out whether the installation of electrical products requires the services of a certified technician or electrician. Greentek™ is a registered Trademark used under license by Imperial Sheet Metal Ltd. All rights reserved.

ENGINEERING DATA LCH 70.1200A HRV

SPECIFICATIONS LCH 70.1200A HRV

Dimensions	47.4" x 38.8" x 25.3" (1204 mm x 986 mm x 642.9 mm)
Duct Connections	Four (4) 8" x 20" (203 mm x 508 mm)
Airflow Rates	700 CFM (330 L/s) to 1200 CFM (566 L/s)
Motor	Two (2) PSC variable speed backward curved
Voltage	120 VAC @ 60 Hz / 1 Phase
Amperage	5A / 490 Watts
Type of heat exchanger	(3) Aluminum Cross-flow
Exchange surface	450 ft ² (41.7 m ²)
Defrost type	Evacuation
Filters	Six (6) Fiberbond washable
Drain Connection	Two (2) 1/2" (12.7 mm)
Actual Weight	240 lbs (109 Kg)
Shipping Weight	306 lbs (139 Kg)
Certification	cCSAUS, CSA 22.2 N ^o .113 Complies with UL 1812

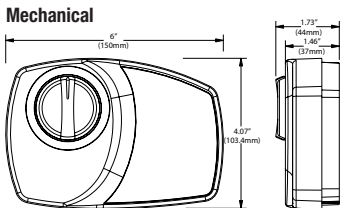
TEST DATA CONDITIONS

Outside Temperature Data	-25°C (-13°F)
Outside Relative Humidity	60% RH
Inside Temperature Data	22°C (72°F)
Inside Relative Humidity	40% RH

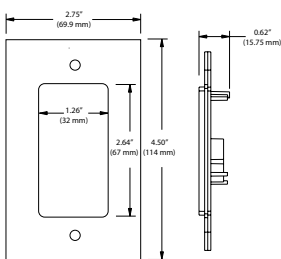
OPTIONAL WALL CONTROLS

Mechanical	RD-1, RD-2, RD-3P and RD-4P
Timers	T3 (20, 40, 60 minutes)

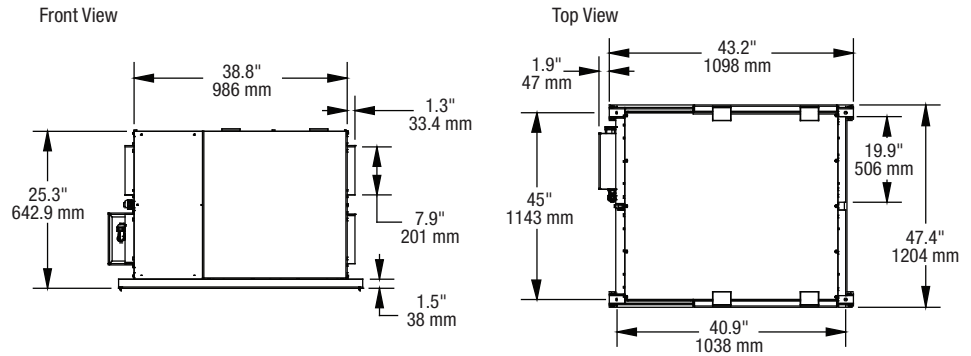
WALL CONTROL DIMENSIONS



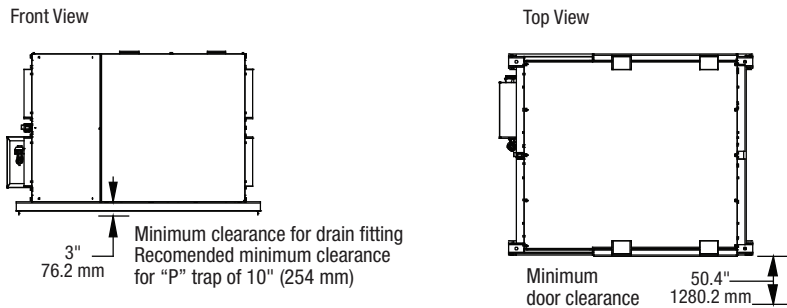
T3 Timer



DIMENSIONS DATA

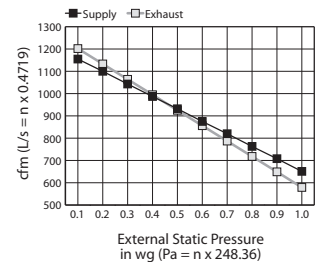


MINIMUM CLEARANCE DATA



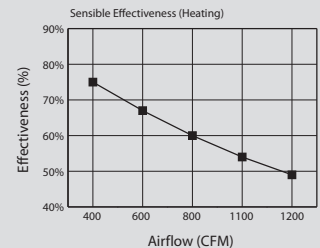
VENTILATION PERFORMANCE

External Static Pressure	Net Supply Air Flow		Gross Air Flow Supply		Gross Air Flow Exhaust		
	Pa	in. wg	L/s	CFM	L/s	CFM	
25	0.1	544	1153	545	1155	567	1202
50	0.2	518	1097	519	1100	535	1133
75	0.3	491	1041	492	1043	502	1064
100	0.4	465	985	466	987	469	995
125	0.5	439	929	440	932	437	925
150	0.6	412	873	413	875	404	856
175	0.7	386	817	387	820	372	787
200	0.8	359	761	360	763	339	718
225	0.9	333	705	334	708	306	649
250	1.0	306	649	307	651	274	579



ENERGY PERFORMANCE CORE*

	Net Air Flow		Apparent Sensible Effectiveness
	L/s	CFM	Effectiveness
HEATING	189	400	75
	283	600	67
	378	800	60
	472	1100	54
	566	1200	49



*Actual performance may vary pending conditions

Quoted by:	Date:
Project:	Remarks:
Quantity:	
Model:	
Site:	
Architect:	
Engineer:	
Contractor:	