

LOW LOSS HEADER FOR MASCOT HT-1.450 & HT-1.650 SINGLE BOILER INSTALLATION

The following instructions are essential for the correct installation of the Low loss header.

The Hydronic Package and Connection Kit enables quick installation of a wall-mounted Mascot boiler by providing all necessary plumbing accessories.

The assembly requires the following components:

LM-714094110 (Connection Kit for Hydronic package)

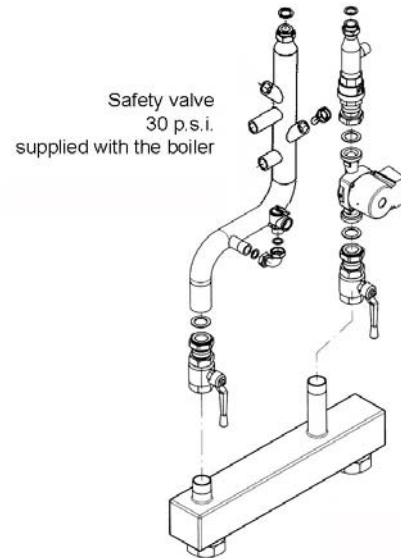
- Delivery manifold with safety valve fitting
- Elbow for safety valve
- Delivery shut-off valve (two way)
- Return shut-off valve (two way)
- Circulator
- Check valve
- Gaskets: G 2 1/2" - G 1 1/2" - G 1" - G 3/4"

LM-714094110 (Hydronic package)

- Low Loss Header

CA003300 (2 adaptors)

- 2 1/2 British male to 2 1/2 NPT male and 2" IPS female threads.



The safety valve 30 p.s.i. (2.1 bar) is supplied with the boiler

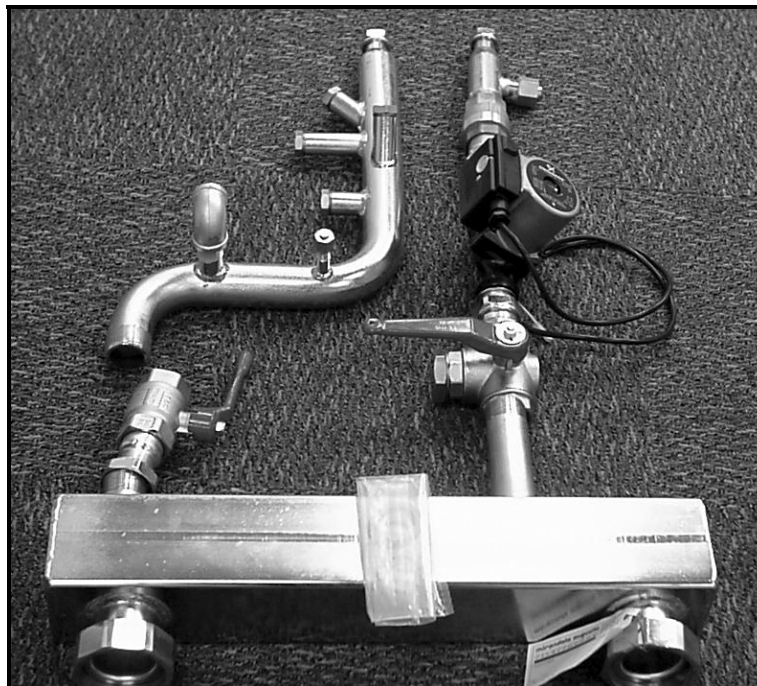


Figure 1: Assembly Contents

ASSEMBLY

Mount the boiler to the wall with the paper template provided with the boiler itself, and following the instructions given in the boiler manual. Use the heating delivery and return fittings (see fittings legend) on the rear of the boiler and move the G 1" blind caps on the horizontal fittings (external boiler coil fittings).

There must be a free space of at least 55 inches underneath the boiler.

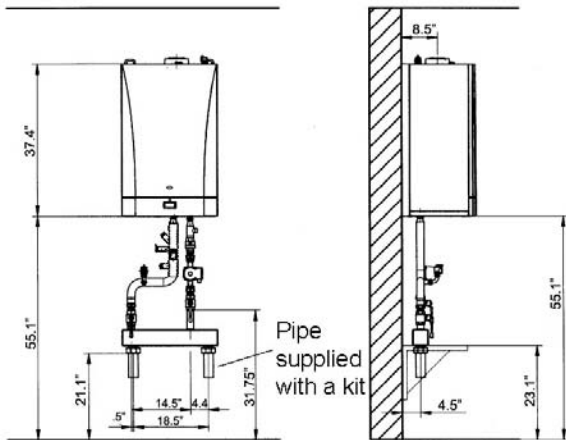


Figure 2: Installation diagram

Install the kit pipes and accessories as given in the diagram in figures 2, 3 and 5.

Mount the manifolds to the wall with suitable brackets (the pipes weigh 20 kg).

Install the safety valve, provided in the boiler, to its fitting (ref. 1 Figure 3) with the G 3/4" elbow. Mount the safety valve outlet to a siphon drain pipe.

The expansion vessel (not supplied with the kit) must be dimensioned for the overall capacity of the installation in the normal way, and connected to the check valve (ref. 2 Figure 3).

The low loss header supplied with the hydronic package separates the heating plant circulation so as to keep a constant flow of water in the boiler independently of losses of load (ref. 3 Figure 3).

The pump supplied with the kit pumps the water between the boiler and the manifolds.

The kit includes boiler delivery and return shut-off valves which enables the system to be worked on without having to empty out the entire heating system.

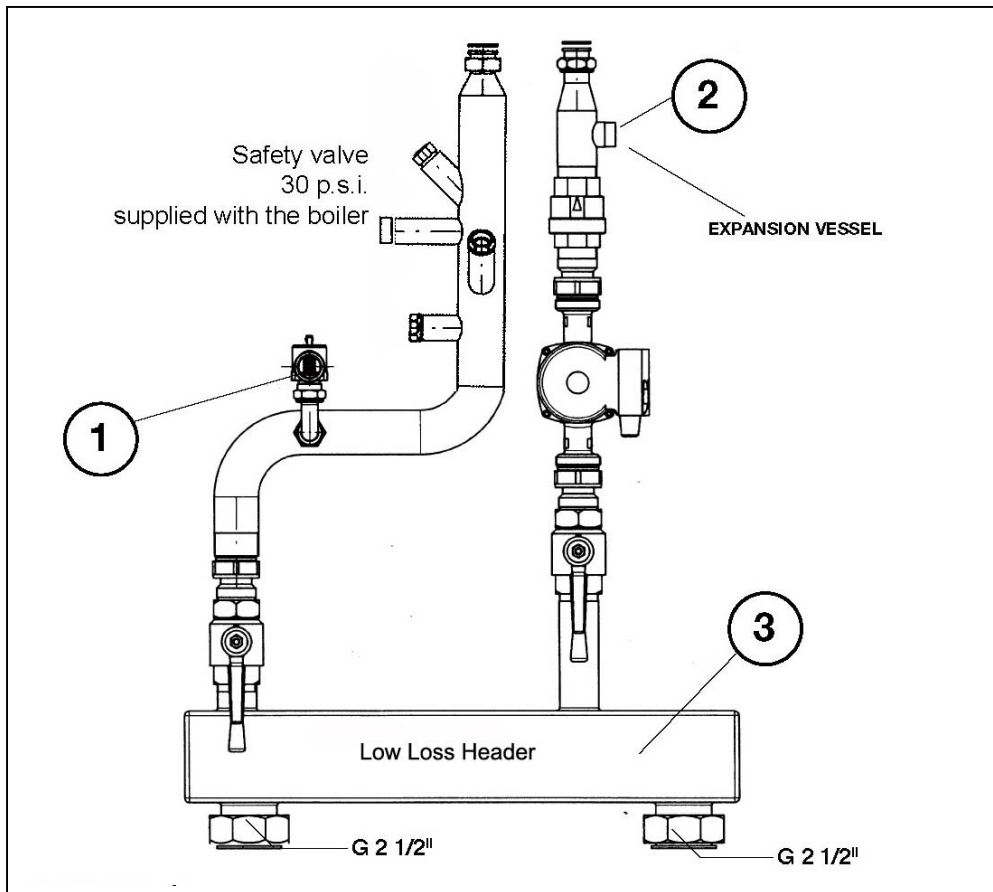


Figure 3: Installing components

BOILER CIRCULATOR – ELECTRICAL CONNECTIONS

The circulator power cable (included in the kit) connects to terminals (11) and (12) of boiler terminal block M3, which can be accessed by opening the front panel (see the boiler instruction manual).

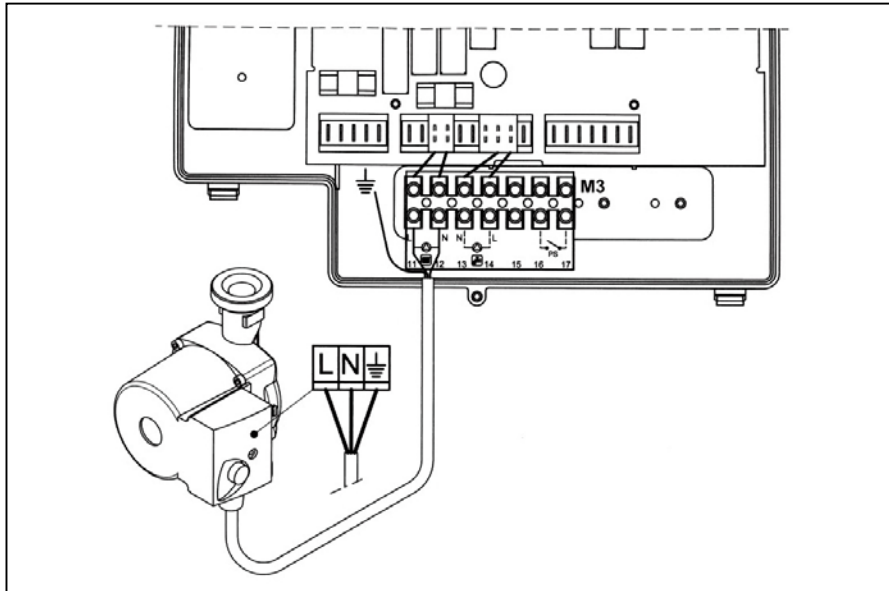


Figure 4: Boiler separator – electrical connections

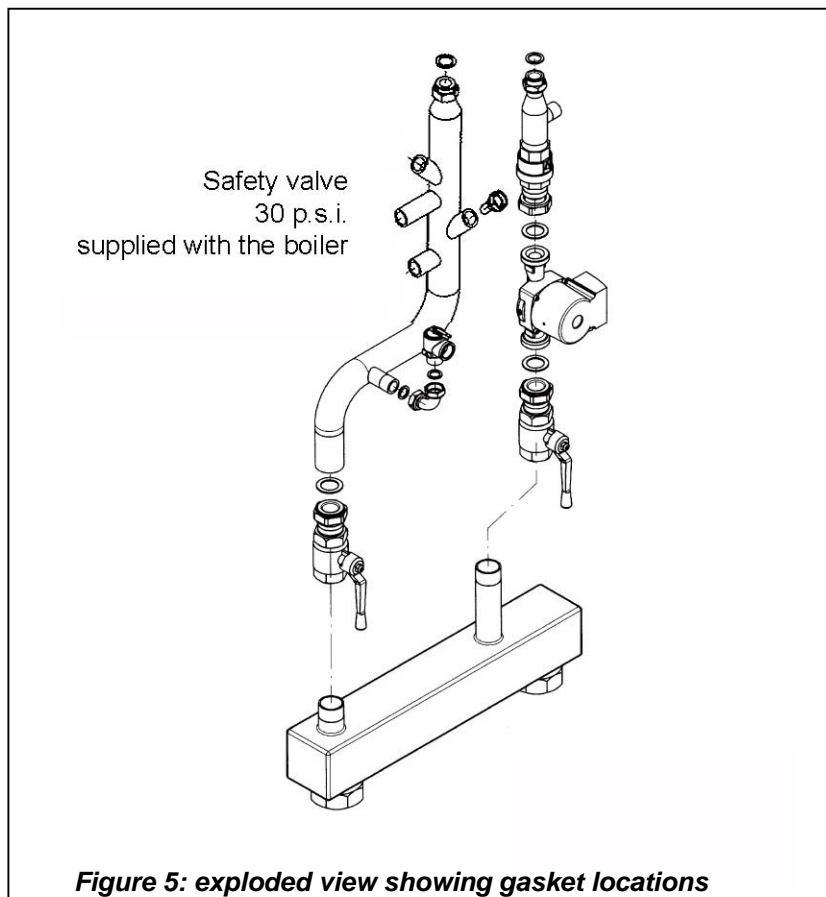


Figure 5: exploded view showing gasket locations