

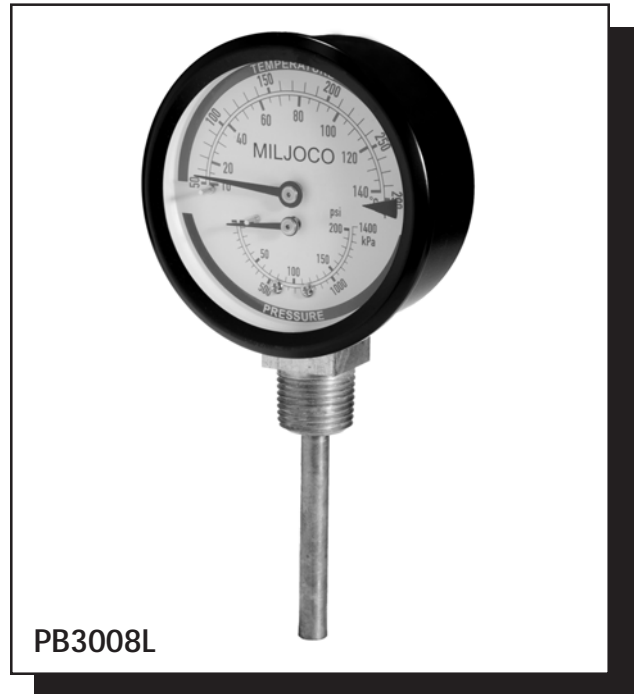
PRESSURE/TEMPERATURE GAUGE

Rear or Lower Connection

The Miljoco Models PB3008L & PB3008 dual indicating pressure/temperature gauges, or commonly referred to as "tridicators", combine the value of an individual pressure gauge and thermometer in one instrument. They are the ideal choice for boilers and other hot water applications where space limitations and installation costs are a consideration. These instruments contain both a bourdon tube assembly to indicate pressure, and a bimetal coil assembly to indicate temperature in both Fahrenheit and Celsius. **WARNING: Not suitable for steam service.**

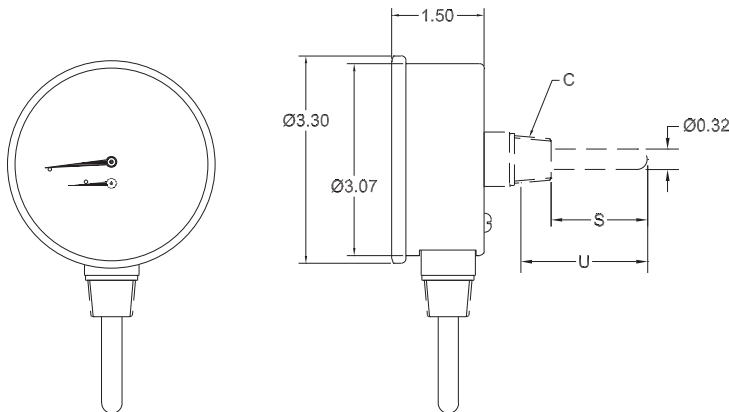
General Specifications

- CASE:** Drawn steel, black finished.
RING: Crimped drawn steel, black finished.
LENS: Glass.
DIAL: Aluminum, white finished with red temperature and blue pressure markings.
POINTERS: Aluminum, black non-adjustable.
MOVEMENT: Brass.
BOURDON TUBE: Phosphor bronze.
CONNECTION: See table below.
STEM: Brass, Ø 0.320".
ACCURACY: Pressure scale: ±3-2-3%,
 Temperature scale: ±One scale division.
AMBIENT TEMPERATURE: -40 to 250°F (-40 to 120°C).



PB3008L

Dimensions (in.)



| Model | Outlet | Stem/Connection Size* | | U | S |
|---------|--------|-----------------------|---------------|------|------|
| | | Code | Size (C) | | |
| PB3008 | Back | 1-25 | ¼" NPT | 1.32 | 1.00 |
| | | 2-25 | ¼" NPT | 3.23 | 2.98 |
| | | 2-50 | ½" NPT | 3.00 | 2.60 |
| | | 2-25E | ¼" NPT w/Ext. | 1.32 | 1.00 |
| PB3008L | Bottom | 2-50 | ½" NPT | 2.80 | 2.36 |

*Other stem length and connections available - consult factory.

Ranges

| Code | Pressure Range | Temperature Range | psi Scale | | kPa Scale | | °F Scale | | °C Scale | |
|------|--------------------------|-----------------------------|-----------|------|-----------|------|----------|------|----------|------|
| | | | Fig. | Div. | Fig. | Div. | Fig. | Div. | Fig. | Div. |
| 04 | 0-60 psi/ 0-400 kPa | 50 to 290°F/ 10 to 140°C | 10 | 2 | 100 | 20 | 40 | 5 | 20 | 2 |
| 21 | 0-75 psi/ 0-500 kPa | 50 to 290°F/ 10 to 140°C | 15 | 2.5 | 100 | 20 | 40 | 5 | 20 | 2 |
| 05 | 0-100 psi/ 0-700 kPa | 50 to 290°F/ 10 to 140°C | 25 | 5 | 250 | 25 | 40 | 5 | 20 | 2 |
| 07 | 0-200 psi/ 0-1400 kPa | 50 to 290°F/ 10 to 140°C | 50 | 10 | 500 | 50 | 40 | 5 | 20 | 2 |

To Order

PB3008 07 - 2-50
 Model Number Range Code Stem/Connection Size

