



Bell & Gossett

Bulletin A-110

New

Low watt, energy conserving wet rotor circulators for radiant panel heating systems



DESIGNED & MANUFACTURED
IN THE U.S.A. FOR AMERICAN
HEATING SYSTEMS

MODEL NRF-9F/LW

- New low watt, energy conserving motor
- B&G Dura-Glide™ Bearing System assures whisper-quiet, maintenance-free operation
- Standard, universal flange-to-flange dimensions
- Backed by B&G's nationwide representatives and a 3-year warranty — the best in the business

Bell & Gossett
ITT Industries

Bell & Gossett Low Watt Wet Rotor Circulators for residential and light commercial heating systems



Description

A maintenance-free, in-line, iron body, wet rotor circulator powered by a low watt motor designed specifically for injection pumping in radiant panel hydronic heating systems. 3/4", 1", 1-1/4" and 1-1/2" flange sizes available. **UL and CSA listed.**

Operating Data

VOLTS	PHASE	CYCLE	WATTS	AMPS	RPM
115	1	60	40	.40	2800
230	1	60	44	.22	2800

Impedance Protected

Maximum working pressure 150 psi (10 bar)
 Maximum operating temperature 240°F (115°C)

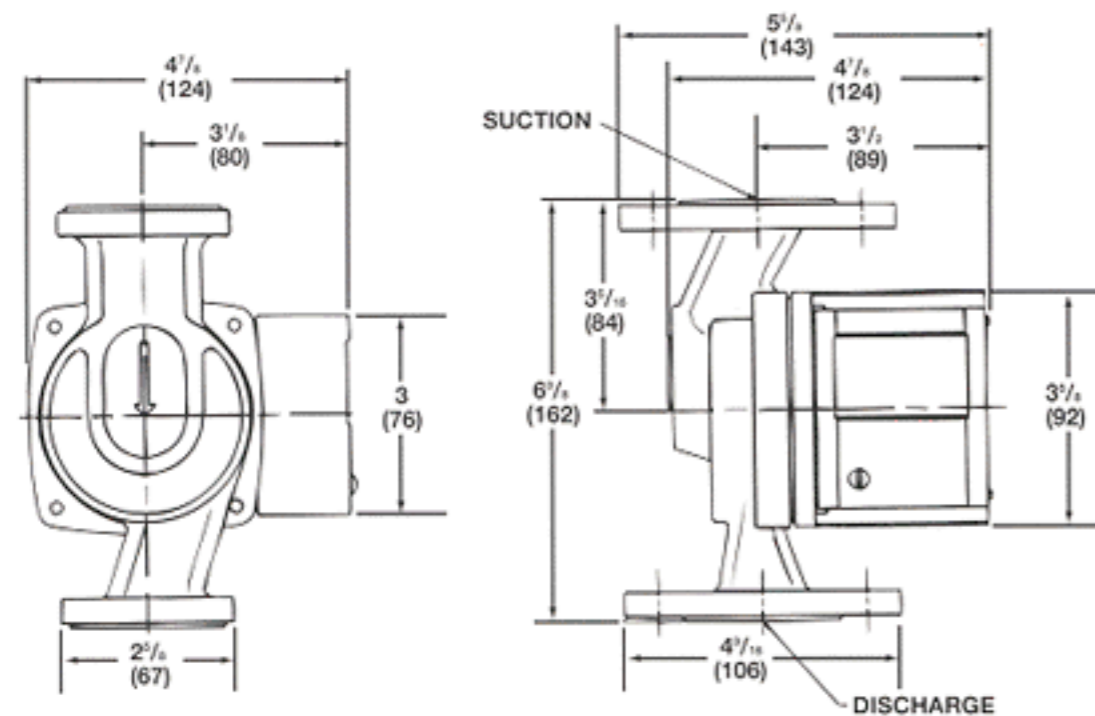
Materials of Construction

Pump Body Cast Iron
 Impeller Polypropylene (30% Glass Filled)
 Shaft Ceramic
 Bearings Double-Sintered Carbon

Warranty

Bell & Gossett offers a warranty of three years from date of manufacture or 18 months from date of installation (whichever comes first) against failure as a result of defects in materials and workmanship.

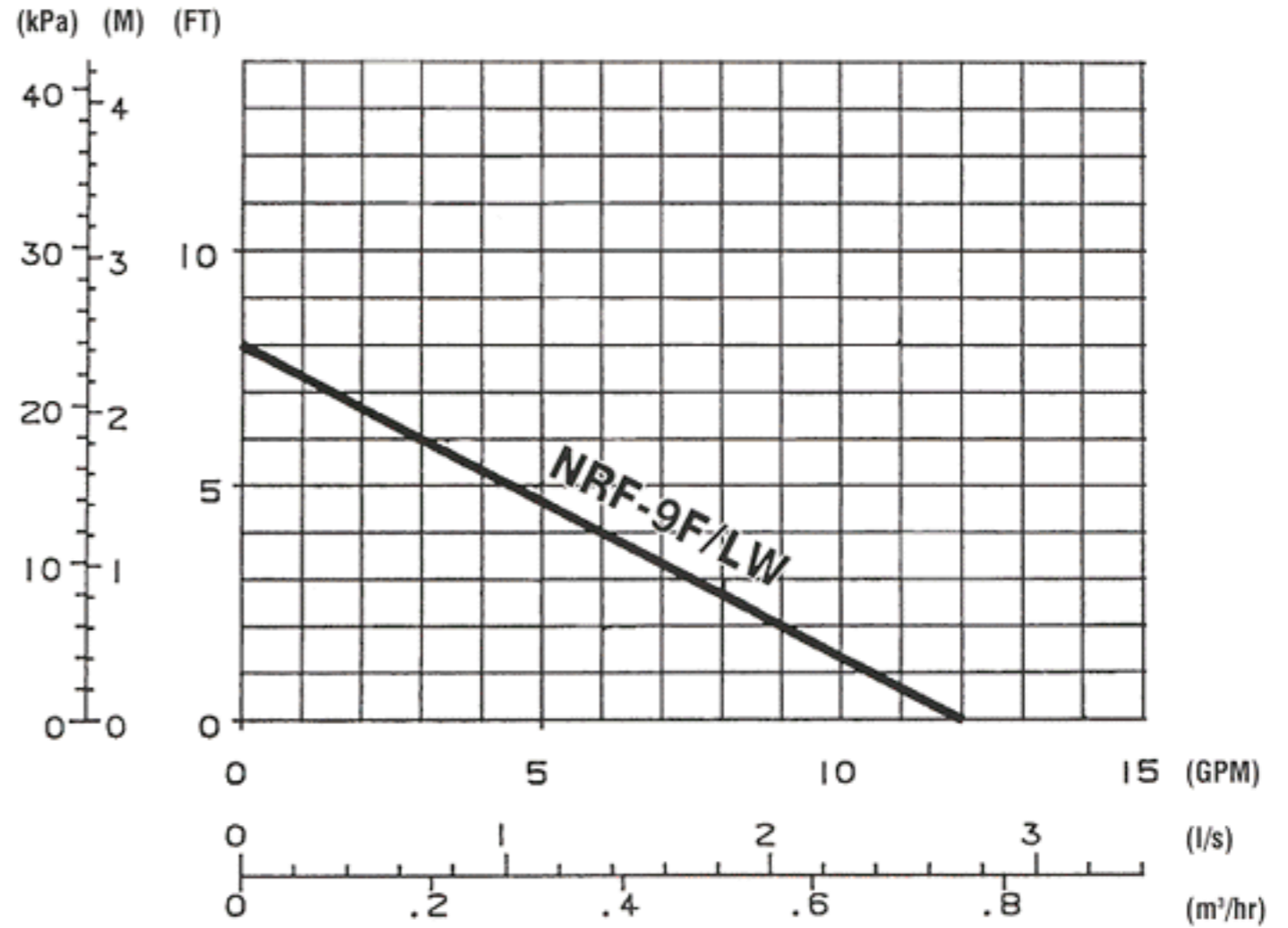
Dimensions in Inches



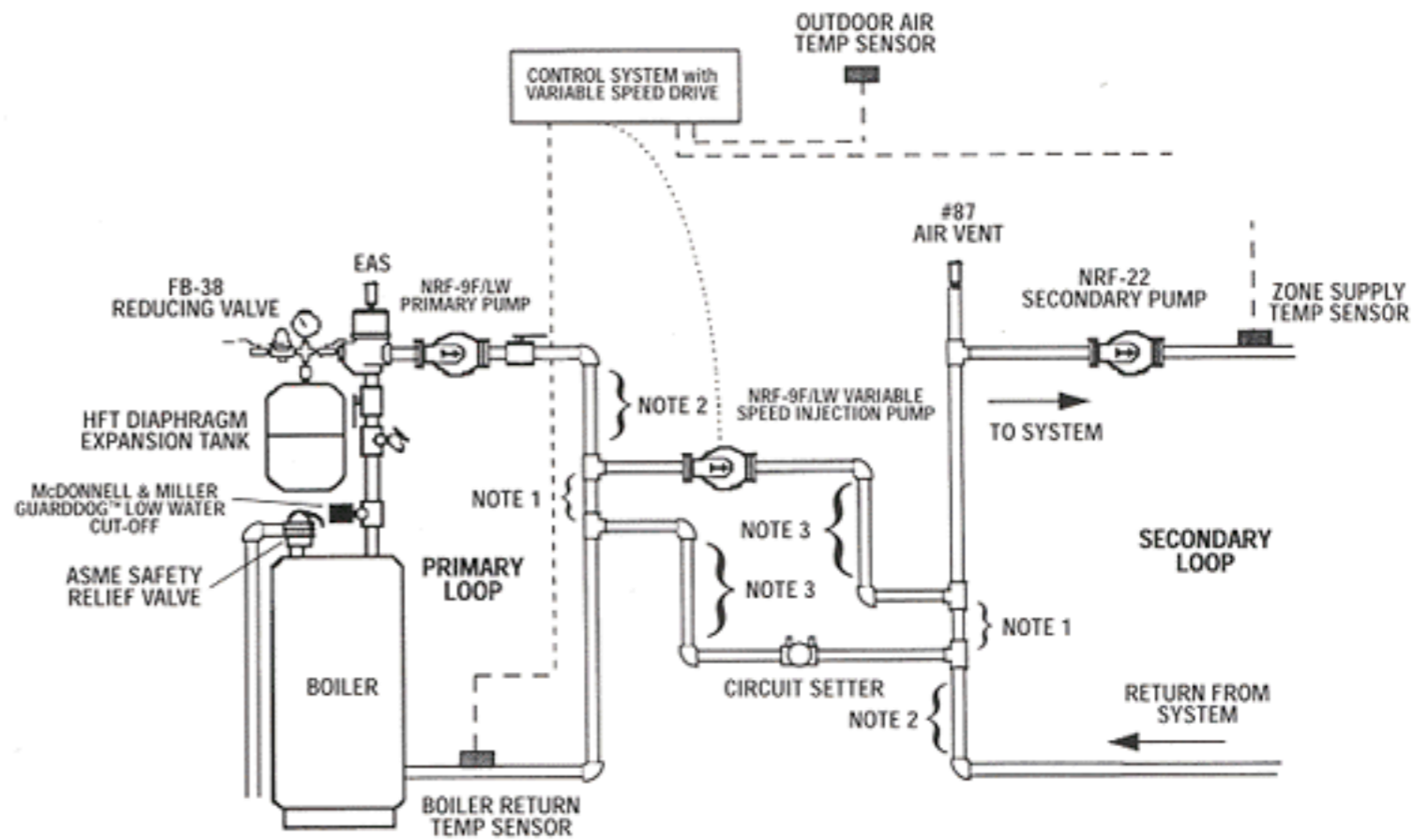
Weight

Cast Iron Approx. Shpg. Weight 9.3 lbs (4.2kg)

NRF-9F/LW 60 HZ Performance Curve



Typical Applications



Primary/Secondary Variable Speed Injection Pumping for Radiant Floor Panel Systems

- NOTE 1: "Rule of Thumb" - 3 pipe diameters between tees in the primary and secondary piping.
- NOTE 2: Minimum of 8 pipe diameters upstream and 4 pipe diameters downstream of straight pipe on either side of tees to prevent any possibility of "jet flow" through the common piping.
- NOTE 3: Minimum distance of 1' of pipe drop required to create a thermal trap.



ITT Industries

Bell & Gossett

8200 N. Austin Avenue
 Morton Grove, IL 60053
 Phone: 847/966-3700
 FAX: 847/966-9052
<http://fhs.ittind.com>