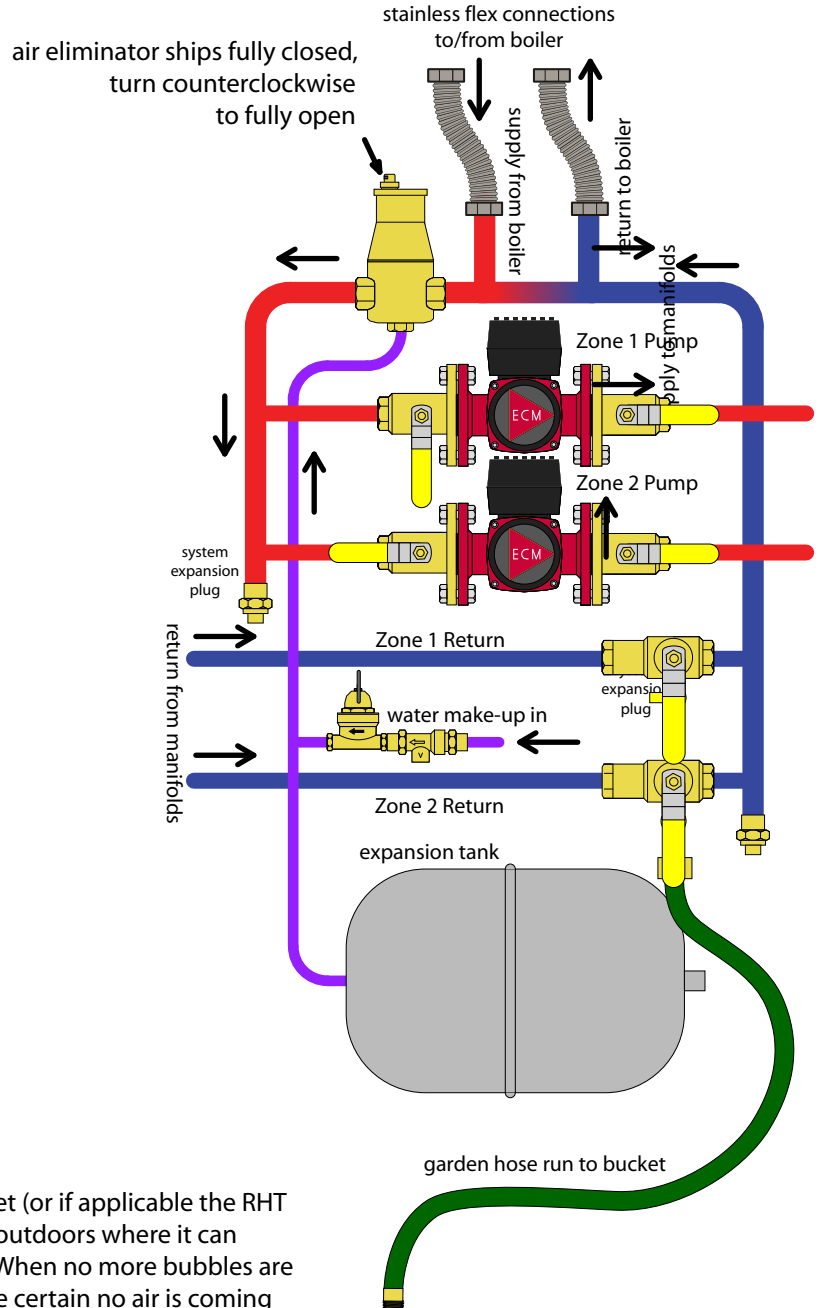
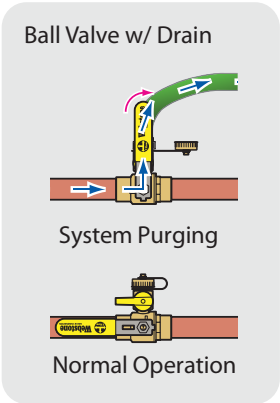
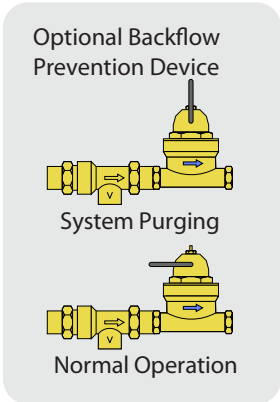




RADIANT HEAT TECHNOLOGY

Column Pump Distribution Panel Purging Mode



Run a hose from the ball valve drain to a bucket (or if applicable the RHT Hydronic Fill & Purge Unit's 4" fill port) placed outdoors where it can overflow. Watch for air bubbles in the bucket. When no more bubbles are observed, wait an additional five minutes to be certain no air is coming down the line. Once there is no more air in a given zone, close the pump flange and corresponding return ball valve, move the hose to the drain of the next zone, and repeat the process for each additional zone. An operating pressure no less than 15psi is recommended.



RADIANT HEAT TECHNOLOGY

Column Pump Distribution Panel Recommended Wiring Diagram

All valves shown in normal operating position.

*Wiring diagram provided for educational purposes only, please follow all manufacturer's wiring schematics when installing products. BlueRidge Company will not be responsible for improperly wired devices.

