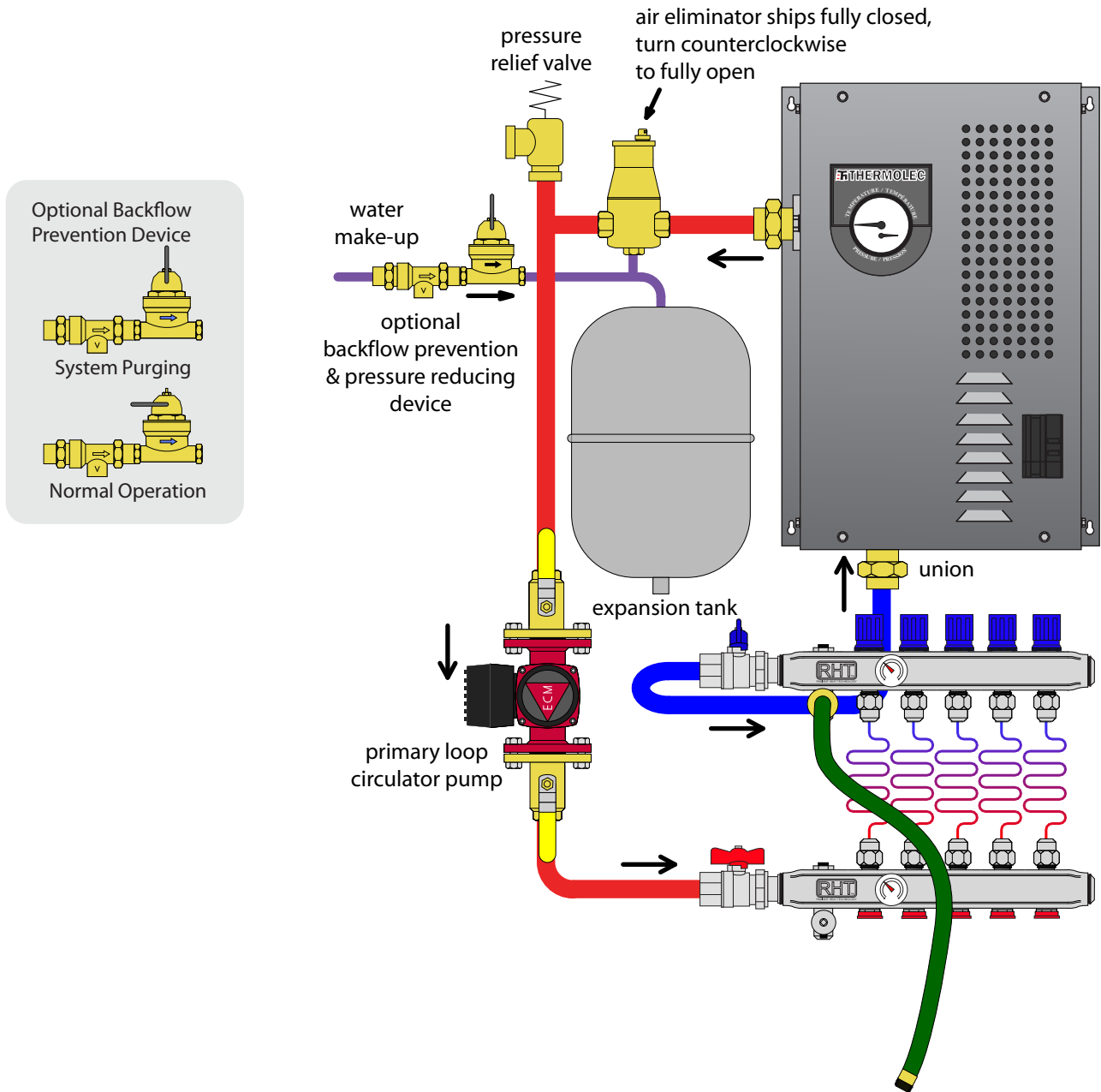


## RHT Spartan 1-Zone Prefabricated Electric Boiler Pump Panel Purging Mode

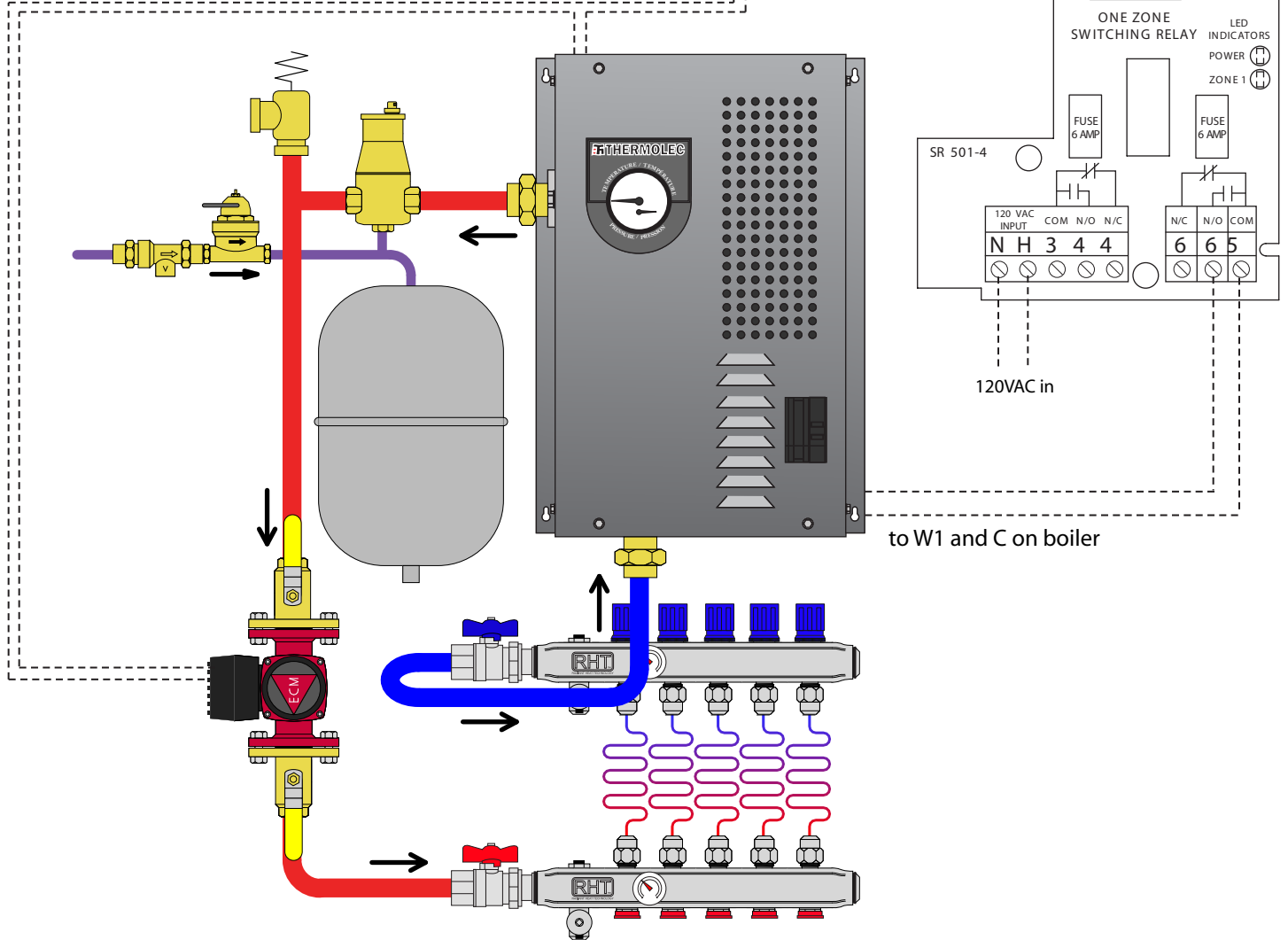


Run a hose from the return manifold drain to a bucket (or if applicable the RHT Hydronic Fill & Purge Unit's 4" fill port) placed outdoors where it can overflow. Close return manifold ball valve and open drain (the drain cap is the key). Double hose washers are required for a good seal. Watch for air bubbles in the bucket. When no more bubbles are observed, wait an additional five minutes to be certain no air is coming down the line. Air removal is critical with electric boilers. Running an electric boiler dry can damage elements. BlueRidge Company recommends running pumps for 12 hours after purging is complete to remove an remaining air in the system. An operating pressure no less than 15psi is recommended.

# RHT Spartan 1-Zone Prefabricated Electric Boiler Pump Panel Reccomended Wiring

Primary Loop Circulator Pump Wiring:  
neutral leg runs straight to pump, hot leg is switched  
at P-P terminals in boiler, a non-powered relay

120VAC in  
for pump



to W1 and C on boiler

All valves shown in normal  
operating position.

\*Wiring diagram provided for educational purposes  
only, please follow all manufacturer's wiring schematics  
when installing products. BlueRidge Company will not  
be responsible for improperly wired devices.