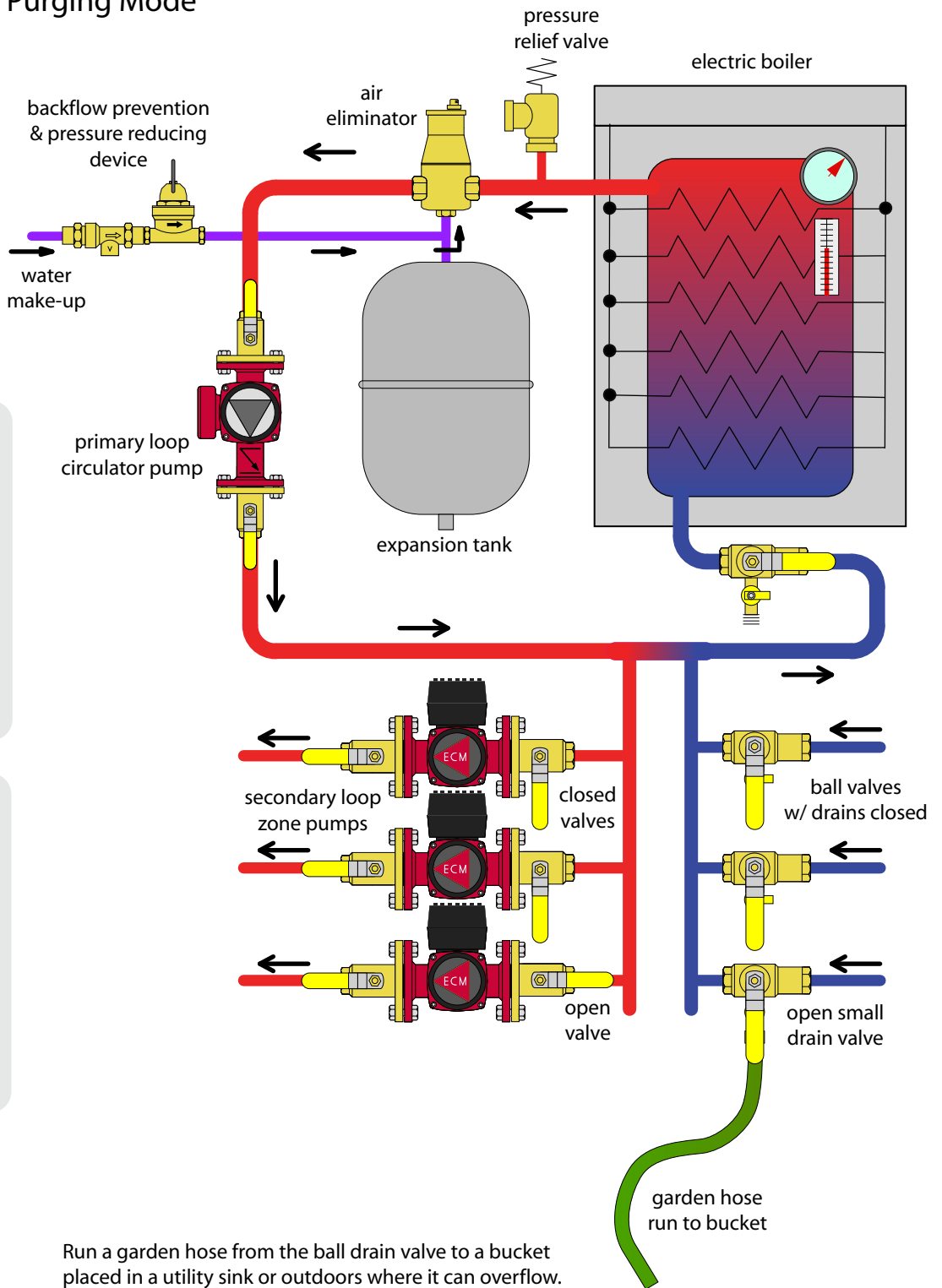


Electric Boiler Pump Distribution Panel Purging Mode



Optional Backflow Prevention Device

System Purging

Normal Operation

Ball Valve w/ Drain

Normal Operation

System Purging

Run a garden hose from the ball drain valve to a bucket placed in a utility sink or outdoors where it can overflow. Watch for air bubbles in the bucket. When no more bubbles are observed, wait an additional five minutes to be certain no air is coming down the line. Once there is no more air in a given zone, close the pump flange and corresponding return ball valve, move the hose to the drain of the next zone, and repeat the process for each zone.

