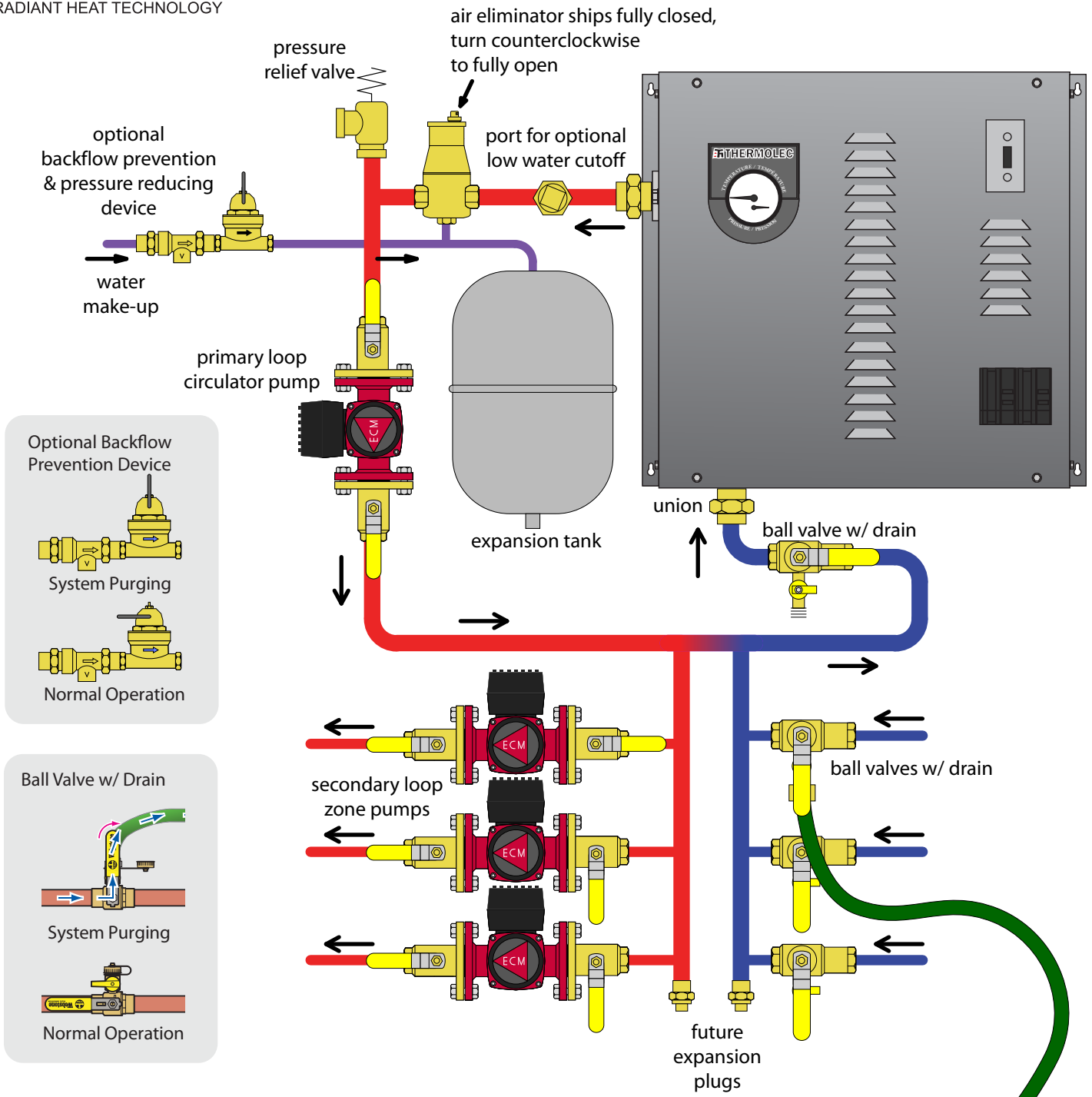




RHT Maxima Prefabricated Electric Boiler Pump Panel Purging Mode



Optional Backflow Prevention Device

System Purging

Normal Operation

Ball Valve w/ Drain

System Purging

Normal Operation

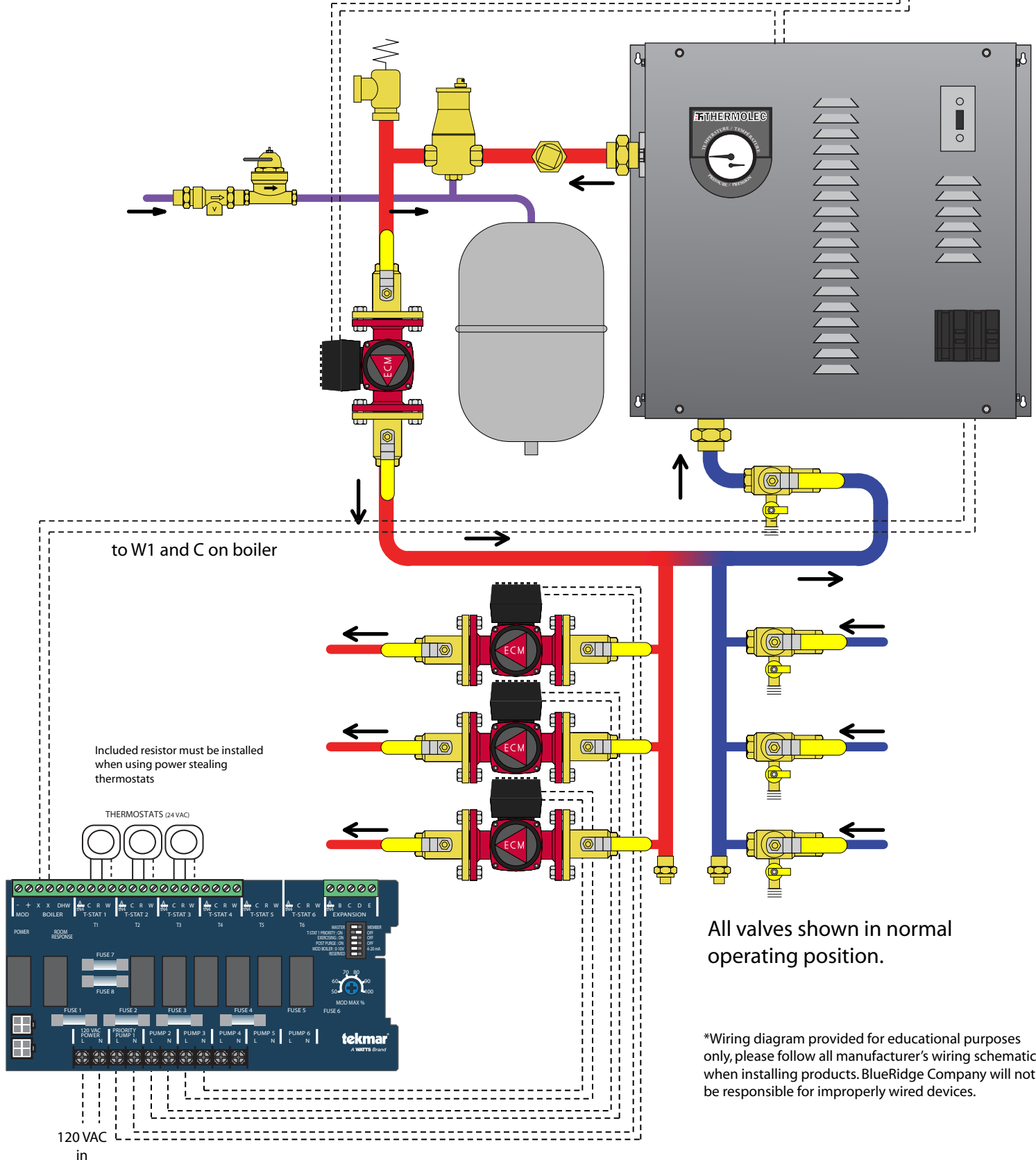
Run a hose from the ball valve drain to a bucket (or if applicable the RHT Hydronic Fill & Purge Unit's 4" fill port) placed outdoors where it can overflow. Watch for air bubbles in the bucket. When no more bubbles are observed, wait an additional five minutes to be certain no air is coming down the line. Once there is no more air in a given zone, close the pump flange and corresponding return ball valve, move the hose to the drain of the next zone, and repeat the process for each additional zone. Air removal is critical with electric boilers. Running an electric boiler dry can damage elements. BlueRidge Company recommends running pumps for 12 hours after purging is complete to remove an remaining air in the system. An operating pressure no less than 15psi is recommended.



RHT Maxima Prefabricated Electric Boiler Pump Panel Recommended Wiring

Primary Loop Circulator Pump Wiring:
neutral leg runs straight to pump, hot leg is switched at P-P terminals in boiler, a non-powered relay

120VAC in for pump



All valves shown in normal operating position.

*Wiring diagram provided for educational purposes only, please follow all manufacturer's wiring schematics when installing products. BlueRidge Company will not be responsible for improperly wired devices.