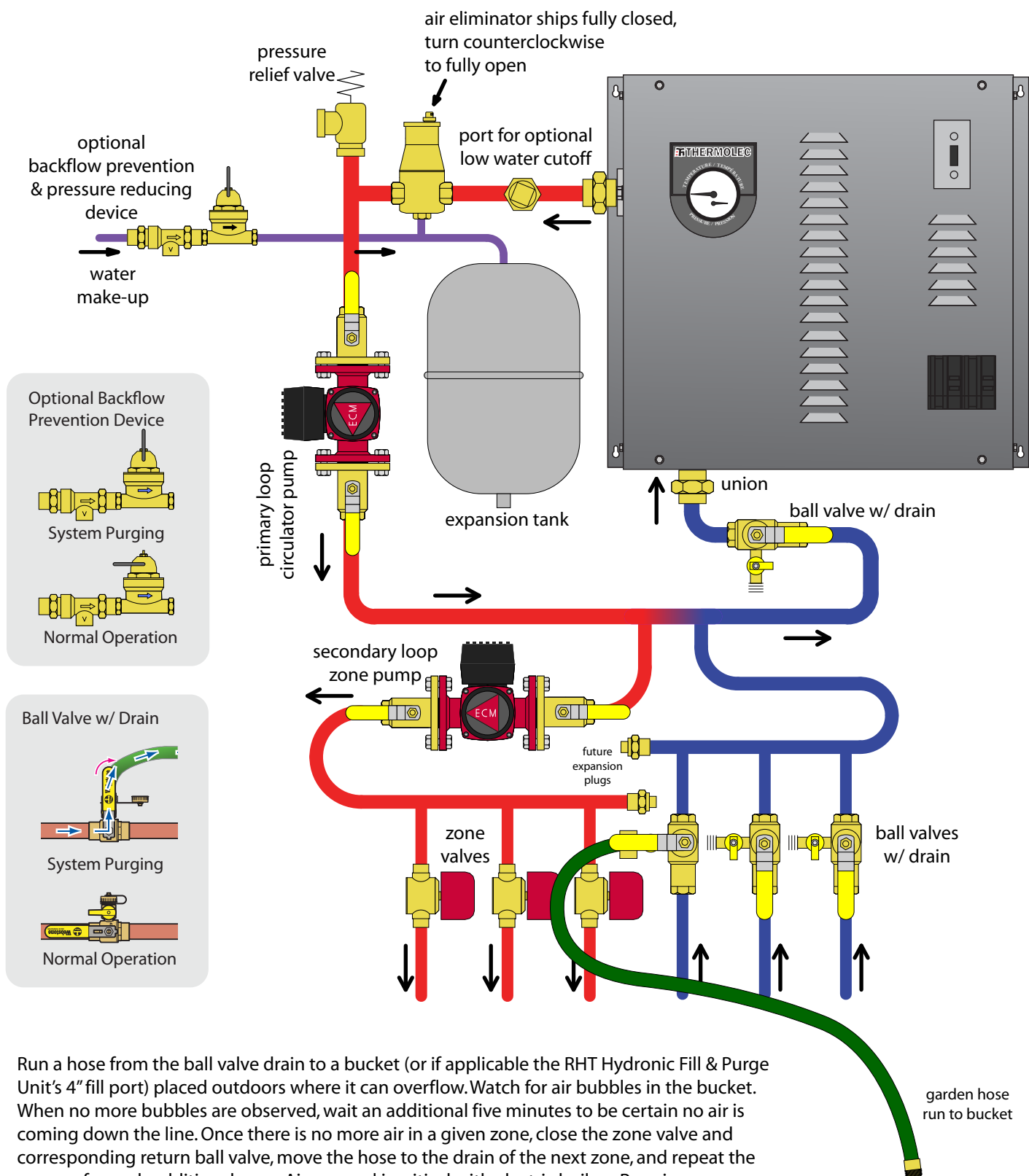


RHT Prefabricated Electric Zone Valve Panel Purging Mode



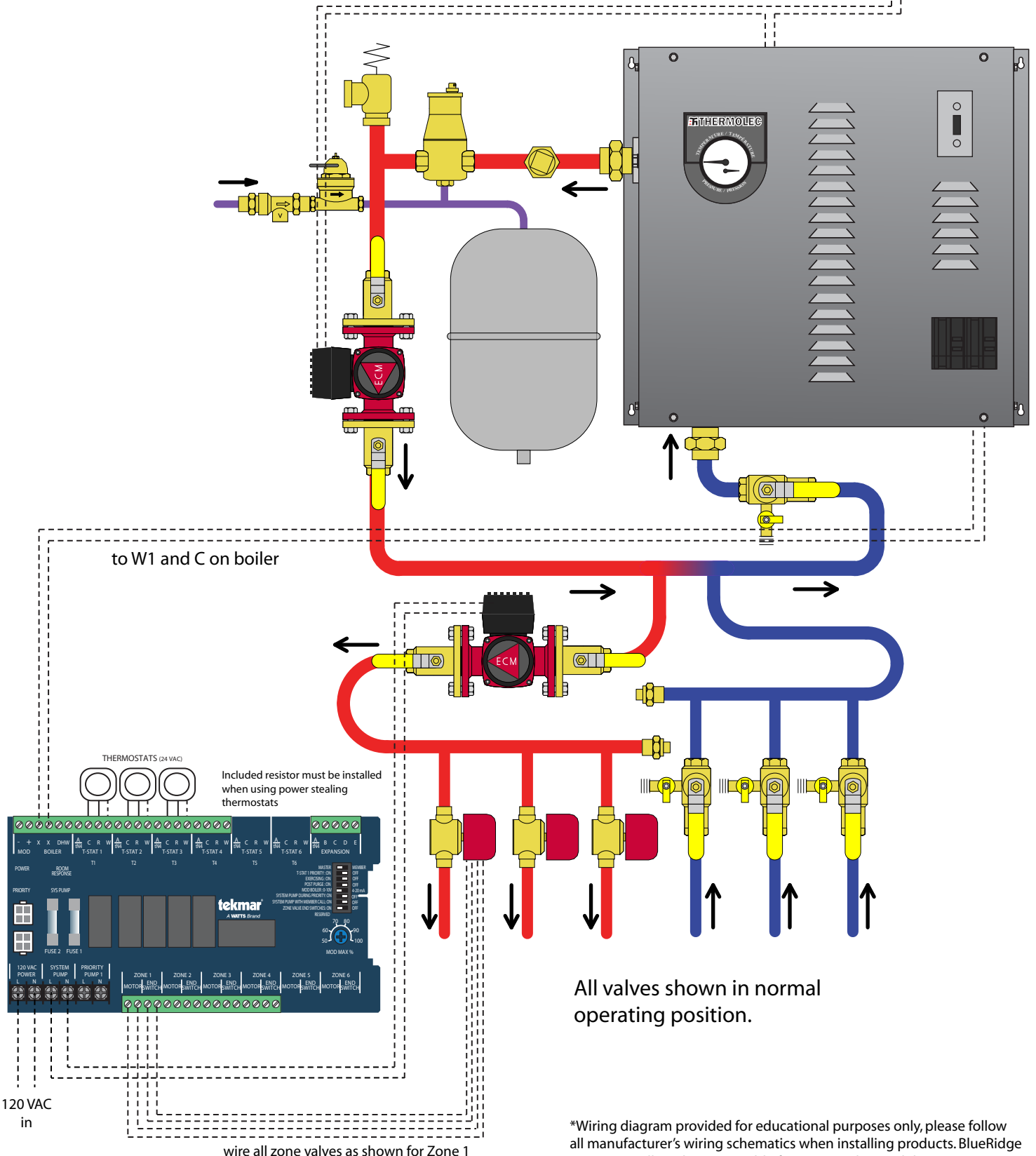
Run a hose from the ball valve drain to a bucket (or if applicable the RHT Hydronic Fill & Purge Unit's 4" fill port) placed outdoors where it can overflow. Watch for air bubbles in the bucket. When no more bubbles are observed, wait an additional five minutes to be certain no air is coming down the line. Once there is no more air in a given zone, close the zone valve and corresponding return ball valve, move the hose to the drain of the next zone, and repeat the process for each additional zone. Air removal is critical with electric boilers. Running an electric boiler dry can damage elements. BlueRidge Company recommends running pumps for 12 hours after purging is complete to remove any remaining air in the system. An operating pressure no less than 15psi is recommended.



RHT Prefabricated Electric Zone Valve Panel Recommended Wiring

Primary Loop Circulator Pump Wiring:
neutral leg runs straight to pump, hot leg is switched
at P-P terminals in boiler, a non-powered relay

120VAC in
for pump



to W1 and C on boiler

Included resistor must be installed
when using power stealing
thermostats

All valves shown in normal
operating position.

wire all zone valves as shown for Zone 1

*Wiring diagram provided for educational purposes only, please follow
all manufacturer's wiring schematics when installing products. BlueRidge
Company will not be responsible for improperly wired devices.