

RHT Floor Panel System

Submittal Information



Project Information

Job Name:

Location:

Part No. Ordered:

Engineer:

Date Submitted:

Contractor:

Submitted By:

Manufacturer's Representative:

Approved By:

Technical Data

Overall width- 48"

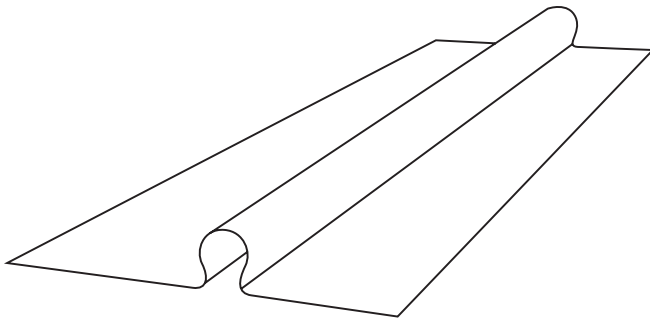
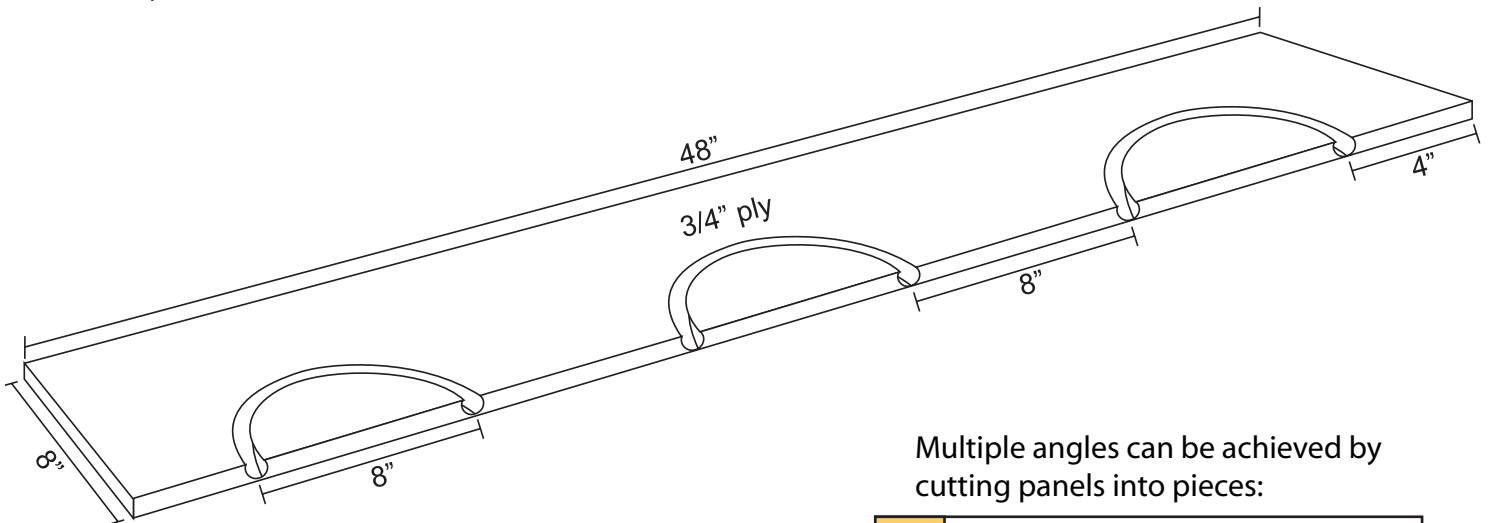
Depth- 8"

Plywood Thickness-3/4"

Fill: Rip 3/4" ply to 6 3/4" for infill. The heat transfer plate should fit loosely.

Product Information and Application Use

RHT Floor Panel Systems provide an easy way to attach and guide your PEX tubing effectively and cleanly. Works with 1/2" RHT PEX Tubing. Specially routed 180° turns. Infill is customer provided 3/4" plywood, ripped to 6 3/4". Heat Transfer Plates help to secure tubing on straight runs, as well as transfer energy more efficiently.



Multiple angles can be achieved by cutting panels into pieces:

