

RHT SS Manifold

Submittal Information



Project Information

Job Name:

Location:

Engineer:

Contractor:

Manufacturer's Representative:

Part No. Ordered:

Date Submitted:

Submitted By:

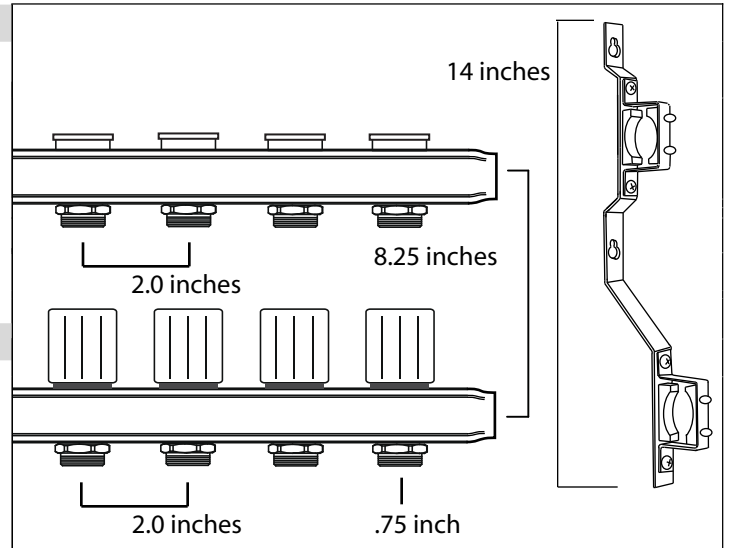
Approved By:

Technical Data

- 1"(ID) Stainless Steel Extrusion
- Ball Valve Isolators on Supply and Return
- Temp Gauge on Supply and Return
- Valve Control on Supply
- Air Eliminator and Boiler Drain on Supply and Return
- Valve Control w/Optional 24V Actuator on Return
- Brackets Included

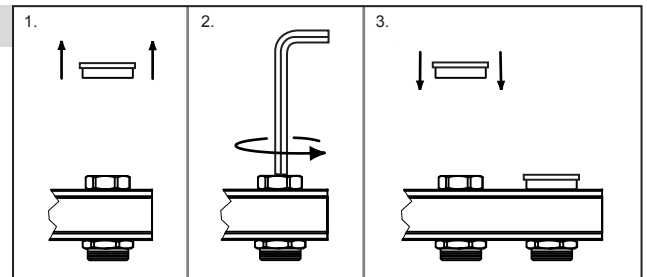
Product Information and Application Use

The RHT SS manifold is available from two to eight circuits for the intended use in low-pressure non-potable hydronic heating systems. The return side of the manifold will accommodate optional 24v zone valve actuators for greater zoning flexibility. Staggered mounting brackets allow for a clean install and zero strain on PEX tubing. Recommended Test Pressure: 50 psi



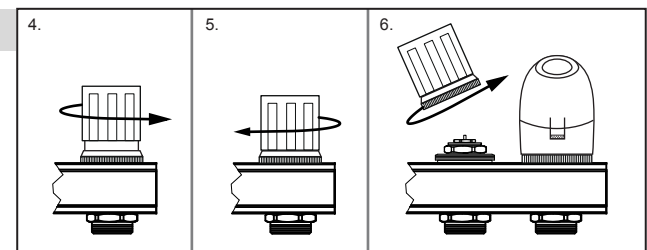
Supply Side Valve Adjustment

1. Remove the red cap.
2. Using a 6mm allen key, turn the valve 3/4 of a revolution to fully open. Forcing beyond fully open can result in damage to the valve.
3. After the desired flow is set, replace the cap to secure.



Return Side Valve Adjustment

4. Turn valve counterclockwise to open.
5. Turn valve clockwise to close.
6. Remove valve cap by turning base counterclockwise, this allows the installation of the optional RHT thermostatic actuator.



Ball Valves

The supply and return ball valves with integrated thermometer attach to the union on the end of each manifold body. To seal the tapered pipe thread on the female side of the supply and return ball valves, we recommend a layer of thread sealer, then teflon tape, followed by an additional layer of thread sealer. Two optional o-rings are also included with the manifold for added insurance against leaks.