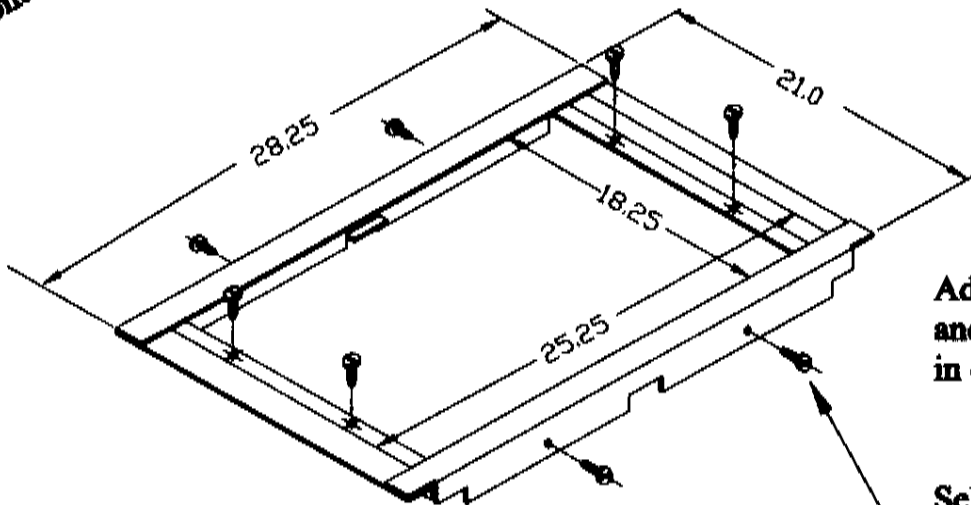


Sun-Pure (S-P 200) Adaptor Ring

**Air handler.
Bottom foot print
20" x 28"**

Air inlet

Front 



**Adaptor Ring is symmetrical
and may be mounted
in either direction**

**Self drilling sheet metal
screws #10 x 3/8 max.
length. 8 - reqd.**

SP - 200

Front 

Fig.1

(SP-200 Adapter Ring)

INSTALLATION INSTRUCTIONS

Note :- Adapter Ring is sold separately if needed

1. **IMPORTANT:** The air-inlet end of the adjoining furnace or air-handler must be **SQUARE** so that the outer case of the SP-200 will not be twisted or distorted. Out-of-square assembly will result in binding of the inner-case making removal for service difficult.
2. Remove inner-case of the SP-200 before mounting adaptor ring
3. Mount the adaptor ring to the *air-outlet side* of the SP-200 first using (8) #10 x 3/8 maximum length self drilling sheet metal screws. Holes are provided in the adaptor ring. Fig.1
4. Attach the SP-200 to the *air-inlet side* of the furnace or air handler using #10 x 3/8 maximum length self drilling sheet metal screws.
5. Make sure the inner case of the SP-200 can easily be removed and reinstalled for service
6. Seal all joints with tape if necessary.
7. A furnace or air handler that has an air-inlet size narrower than 20" may be adapted to the adaptor ring by using a fabricated 18 ga. sheet metal angle on each side of the adaptor ring and furnace Fig.2 & Fig.3

