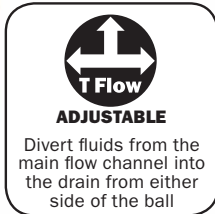


BALL DRAIN™

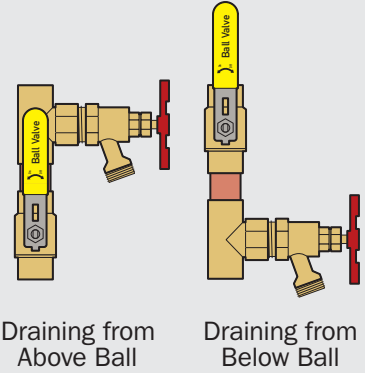
- Eliminate assemblies needed to isolate & drain any portion of a piped system
- Winterize an entire house with simple quarter-turn actions
- SWT × IPS option designed specifically for use with pre-fabricated threaded headers
- Reversible handle for added versatility
- Exclusive adjustable flow path allows for draining from either side of the ball
- Guaranteed for Life



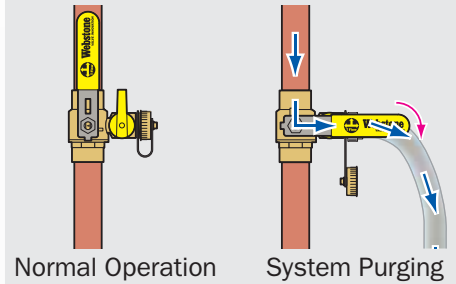
AVAILABLE W/
LEAD FREE
CLEAN BRASS
THE CLEAR CHOICE
FOR THE PROFESSIONAL



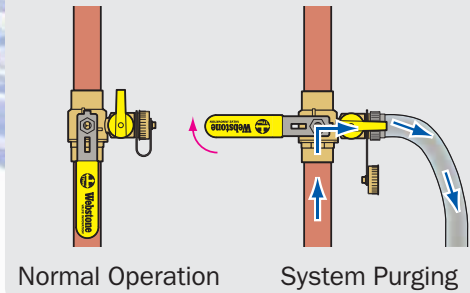
THE OLD WAY
REPLACES 4 COMPONENTS
ELIMINATES 3 LEAK PATHS
SAVES 27 MINUTES OF LABOR



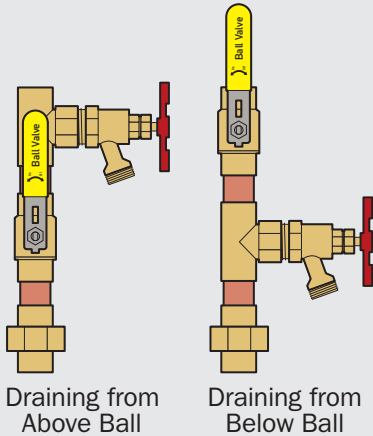
DRAINING FROM ABOVE BALL



DRAINING FROM BELOW BALL



THE OLD WAY
REPLACES 6 COMPONENTS
ELIMINATES 5 LEAK PATHS
SAVES 45 MINUTES OF LABOR



UNION BALL DRAIN™

- All the features of the ball drain, with integrated union connection
- Easily disconnect and replace any portion of a piped system

DESIGN INCLUDES

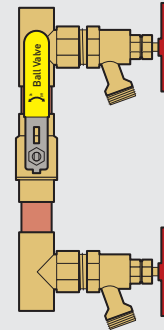
UNION DRAIN BALL™
FUNCTIONALITY



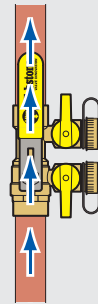
PURGE & FILL™

- Simultaneously drain, flush & refill any hydronic, solar, or closed loop system
- T-pattern flow path quickly and easily prevents the flow between the two hose connections
- As fluid is introduced into the system, the existing fluid or air is diverted out of the system through the remaining hose connection
- Reversible handle for added versatility
- Guaranteed for Life

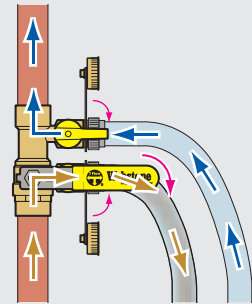
THE OLD WAY
REPLACES 7 COMPONENTS
ELIMINATES 6 LEAK PATHS
SAVES 54 MINUTES OF LABOR



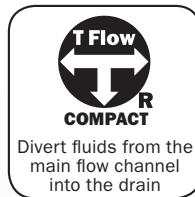
HANDLE OPERATION



Normal Operation



System Draining, Flushing, Filling



Divert fluids from the main flow channel into the drain

PURGE & FILL™

Full Port Forged Brass Ball Valves w/ (2) Hi-Flow Hose Drains, Adjustable Packing Gland & Reversible Handle

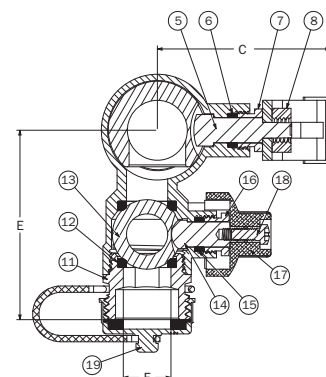
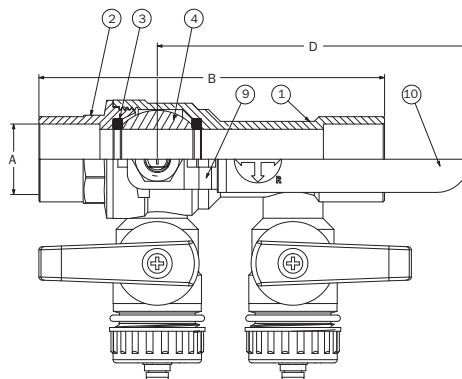
600 WOG
ISO 9001

	SIZE	STANDARD BRASS ITEM#	CTN/CASE	A	B	C	D	E	F
IPS	3/4"	48613	1/12	3/4	3 15/16	2 1/8	3 7/8	2 3/8	1/2
	1"	48614	1/12	1	4 5/16	2 9/16	4 5/8	2 9/16	1/2
	1 1/4"	48615	1/12	1 1/4	4 7/8	2 7/8	4 5/8	2 15/16	3/4
	1 1/2"	48616	1/12	1 1/2	5 1/16	3 7/16	5 9/16	3 1/6	3/4
C×C	3/4"	58613	1/12	3/4	4 5/16	2 1/8	3 7/8	2 3/8	1/2
	1"	58614	1/12	1	4 3/4	2 9/16	4 5/8	2 5/8	1/2
	1 1/4"	58615	1/12	1 1/4	5 1/2	2 7/8	4 5/8	3	3/4
	1 1/2"	58616	1/12	1 1/2	6	3 7/16	5 9/16	3 1/2	3/4



NO. DESCRIPTION MATERIAL

1	BODY	BRASS
2	END CAP	BRASS
3	SEAT	PTFE
4	BALL	BRASS HCP
5	STEM	BRASS
6	STEM SEAL	PTFE
7	PACKING GLAND	BRASS
8	HANDLE NUT	STAINLESS STEEL
9	HANDLE	STEEL CP
10	HANDLE JACKET	VINYL
11	DRAIN END CAP	BRASS
12	DRAIN SEAT	PTFE
13	DRAIN BALL	BRASS HCP
14	DRAIN STEM	BRASS
15	DRAIN STEM SEAL	PTFE
16	DRAIN PACKING GLAND	BRASS
17	DRAIN VALVE HANDLE	ENAMEL COATED ALUMINUM
18	DRAIN VALVE HANDLE SCREW	BRASS
19	CAP & STRAP	BRASS W/ PVC HOSE WASHER & STRAP



PRIMARY/SECONDARY
PURGE TEETM

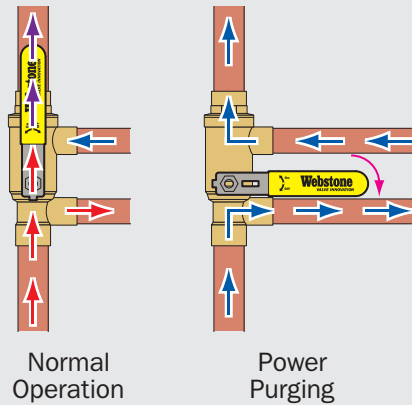
- Allows for placement of a ball valve between closely spaced tees
- Precision crafting achieves hydraulic separation
- Permits power purging of individual loops in hydronic systems
- Full port solid flow channel ensures highest flow rate possible
- Ideal for primary/secondary piping in mod-con boiler systems
- Guaranteed for Life

THE OLD WAY
REPLACES 5 COMPONENTS*
ELIMINATES 4 LEAK PATHS
SAVES 36 MINUTES OF LABOR



*Correct spacing for hydraulic separation cannot be achieved using off-the-shelf components.
The Purge Tee is the ONLY way to place a valve between closely spaced tees. PERIOD.

HANDLE OPERATION

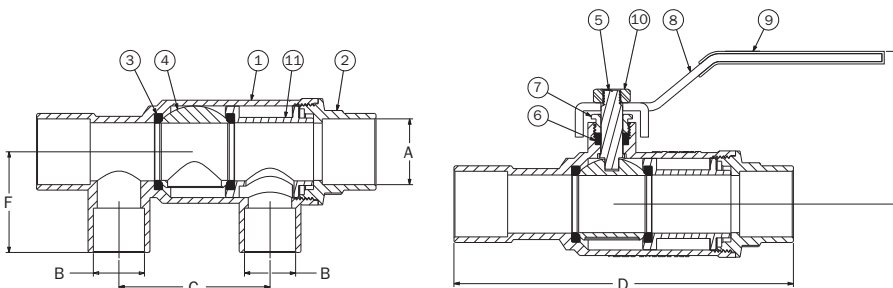


PURGE-TEETM

Full Port Forged Brass Ball Valves – Primary/Secondary Loop Purge Tee, Adjustable Packing Gland & Reversible Handle

600 WOG
ISO 9001

	RUN SIZE	BRANCH SIZE	STANDARD BRASS		A	B	C	D	E	F
			ITEM #	CTN/CASE						
C x C (1" PRIMARY LOOP)	1"	3/4"	58643	1/12	1	3/4	2 11/16	5 13/16	2 3/8	1 11/16
	1"	1"	58644	1/12	1	1	2 7/8	5 13/16	2 7/16	1 7/8
C x C (1 1/4" PRIMARY LOOP)	1 1/4"	1/2"	58652	1/12	1 1/4	1/2	2 5/8	5 3/4	2 9/16	1 11/16
	1 1/4"	3/4"	58653	1/12	1 1/4	3/4	3 1/4	6 5/16	2 1/4	2 1/8
	1 1/4"	1"	58654	1/12	1 1/4	1	3 1/4	7	2 9/16	2 3/16
C x C (1 1/2" PRIMARY LOOP)	1 1/4"	1 1/4"	58655	1/12	1 1/4	1 1/4	3 1/4	7	2 5/8	2 1/8
	1 1/2"	1/2"	58662	1/12	1 1/2	1/2	2 15/16	6 5/8	2 15/16	1 11/16
	1 1/2"	3/4"	58663	1/12	1 1/2	3/4	3 1/8	7 7/8	2 15/16	2 1/8
	1 1/2"	1"	58664	1/12	1 1/2	1	3 3/8	7 7/8	2 15/16	2 1/4



NO.	DESCRIPTION	MATERIAL
1	BODY	BRASS
2	END CAP	BRASS
3	SEAT	PTFE
4	BALL	BRASS HCP
5	STEM	BRASS
6	STEM SEAL	PTFE
7	PACKING GLAND	BRASS
8	HANDLE	STEEL CP
9	HANDLE JACKET	VINYL
10	HANDLE NUT*	STAINLESS STEEL
11	SEAT RETAINER	BRASS

*CP STEEL NUTS FOR MODELS 58652, 58662, 58663, & 58664.