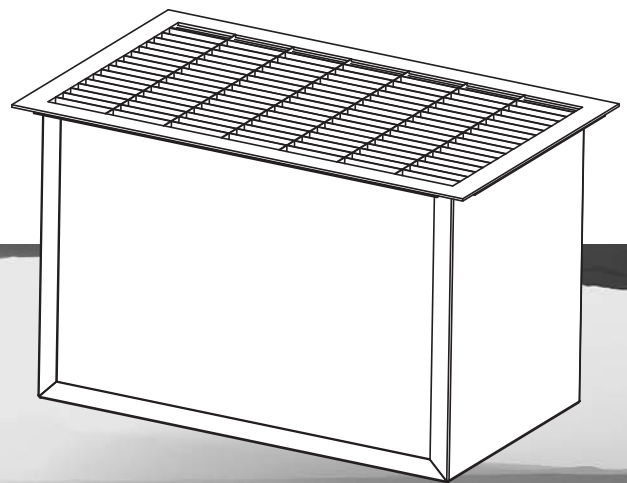


Installation, Operating, Maintenance
and After Sales Manual.

WHISPA III® 5000 FLOOR MODEL



heatingthrough**innovation.**

Product Serial Number:

Installation Date:						



Contents

1.0	General Information	03
2.0	Heating System Design	03
3.0	Selection and Sizing for Heating	03
4.0	Location	03
5.0	Preparation	03
6.0	Electrical Connection	04
7.0	Water Connection	05
8.0	Technical Data	05
9.0	Operating Instructions	06
10.0	Troubleshooting	06
11.0	Maintenance	07

1.0 General Information

- MYSON WHISPA III® floor convectors are designed for installation into a framed floor (between 16" on centres floor joists) to cover heat losses where the location of other heat emitters is difficult or unattractive.
- MYSON WHISPA III® floor convectors are designed to be used with mono-flo tees from a series loop, on a two pipe system, or as a stand alone zone.
- Before proceeding with the installation, the heating system design must be considered and the unit correctly sized to meet the heat loss requirements of the room.
- In heating mode a low limit thermostat prevents the fan from operating if the heating system water temperature is below 110°F.
- WHISPA III® floor convectors are not designed for use with steam.
- WHISPA III® floor convectors have different pipe centres and wiring positions than previous WHISPA II® units
- WHISPA III® floor convectors are supplied with a fan speed selector switch.

2.0 Heating System Design

This fan convector can be fitted on a series loop with mono-flo or venturi Tees, on a two pipe system or as a stand alone zone.

For optimum fan convector heating performance the system must be capable of providing sufficient hot water through the heat exchanger. This means that:

1. Care must be taken in sizing both the pump and piping. The minimum pipe size from boiler to fan convector must be 1/2" copper tube.
2. Where the unit is fitted on to a system with other emitters, mono-flo Tees or diverter Tees should be used to provide adequate water flow.
3. The system water must be above 110°F for fan to switch on, and for satisfactory operation the mean water temperature should not be below 140°F.
4. Optimum performance will require effective balancing of the whole system.
5. This unit should not be used to replace a radiator in an existing system unless an adequate flow of water can be guaranteed through the unit.
6. The loop must be pumped. WHISPA III® fan convectors are not suitable for gravity circulation systems.

3.0 Selection and Sizing for Heating

- Heat output performance is given in the Technical Data section of this manual.
- Since WHISPA III® recessed wall units are supplied with fan speed control it is important to size the unit to match the calculated heat loss requirements of the room with the unit operating at the low fan speed.
- The higher fan speed can then be used for more rapid heating from cold in extreme conditions.
- When establishing the temperature difference, i.e. entering water to room temperature, allowance should be made for temperature drop in the system. It is the water temperature at the fan convector which dictates the output.

4.0 Location

- This WHISPA III® floor convector is designed for installation into a framed door.
- These units are designed for normal 16" centres floor joists.
- The size of the opening required to be cut for installation is shown in Fig. 1.
- Care should be taken to locate the unit where it is out of the direct walkway near entry ways to prevent water, ice or snow from falling into the unit.

5.0 Preparation

Before proceeding with the installation, unpack the carton contents and check against the checklist below:

1. WHISPA III® floor convector unit.
2. Instruction manual.
3. Warranty card.
4. Front cover.
5. Screw fixing kit.

1.0

2.0

3.0

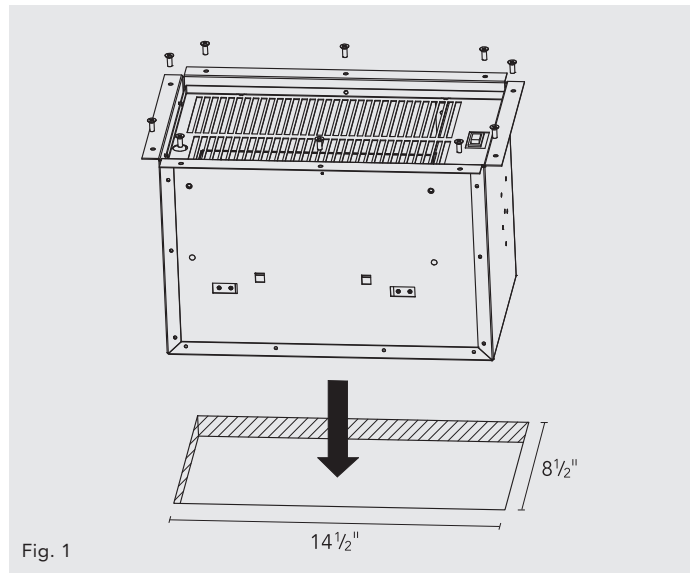
4.0

5.0

5.0 Preparation (continued...)

- Clear the working area to allow for safe work practices.
- The WHISPA III® floor model has an overall depth of 9½". Prior to cutting the floor opening, make sure to determine that the floor joists will allow sufficient room for installation.
- To speed installation, remove the six screws securing the debris screen (see Fig 3), put the screws and cover to one side. Remove the fixing screws and lift open the switch panel. Installing a Romex electrical connector at this time will speed the installation process later.

- Mark the floor area to be cut away (see Fig 1.) taking care to avoid floor framing members and any possible existing piping and wiring.
- Set the WHISPA III® floor unit into the cut opening and secure it to the floor using the ten screws provided.



6.0 Electrical Connection

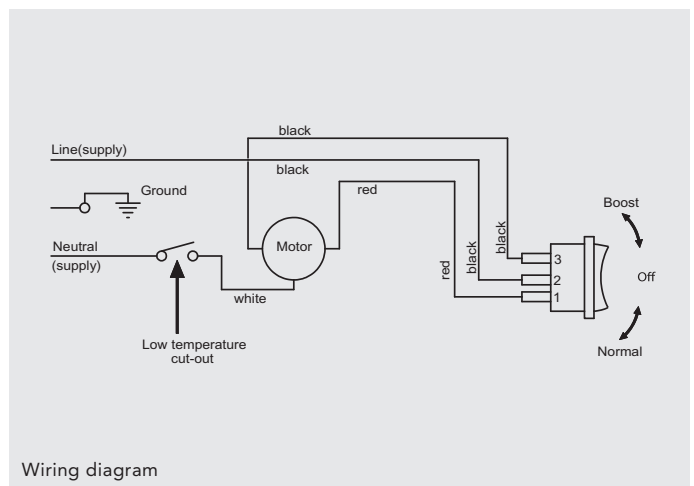
WARNING: This appliance must be grounded.

- The electrical installation must comply with state or local codes.
- A knockout is provided for a BX or Romex connector.
Black Lead - Hot 110V AC 60Hz
White Lead - Neutral
Ground lug - Ground

- Remove the electrical panel cover to make the electrical connection.
Black Lead - Hot 110V AC 60Hz
White Lead - Neutral
Ground lug - Ground
- Use suitable sized wire connectors and replace the electrical panel cover.

Do not energize the electrical supply until the remaining stages of the installation have been completed.

- A remote control switch is available as an accessory.
- If a remote control speed switch is to be used, 110V AC is to be fed to the switch mounting box, with the control line running from the box to the WHISPA III® unit. Follow the instructions supplied with the kit.
- Do not energize the unit until the installation is complete.



Wiring diagram

7.0 Water Connection

- Bring 1/2" copper tubing from the heating loop to the unit and make sweat connections.
- Many installers are now beginning to use flexible heat tubing to make these connections. Ensure prior to use that the tubing selected is appropriate for the water temperature to be supplied.
- Note: Mono-flo or venture tees must be used to insure proper flow through the heating coil.
- Once the connections to the heating loop are complete, open the necessary valve(s).
- Bleed the coil of air using the vent screw provided (see Figs 2 & 3). Close the vent and check for leaks.
- Replace the switch panel and fixing screws then refit the debris screen and screws. The electrical circuit to the unit may be energized and the unit tested.
- When all operations are complete set the floor grille in place.

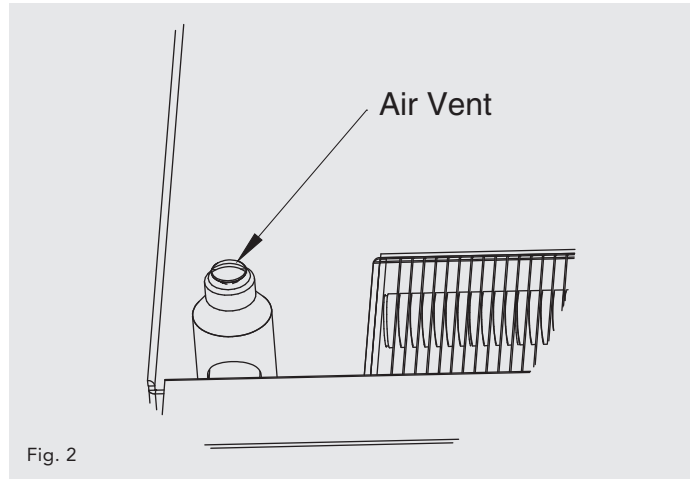


Fig. 2

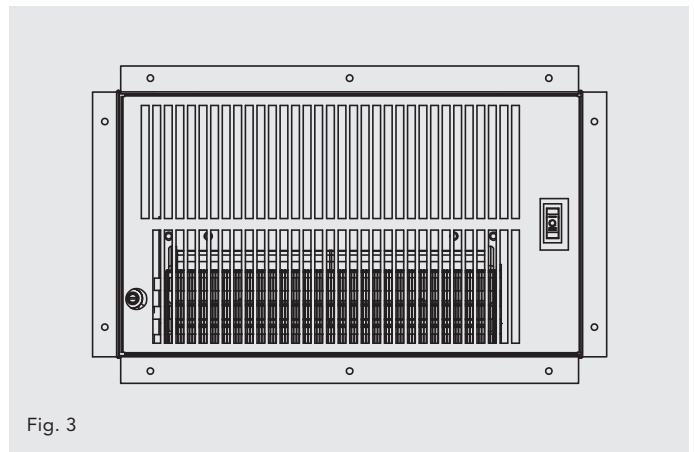


Fig. 3

8.0 Technical Data

Heating Performance Data

Fan Setting	Flowrate (g/min)	Heat Output (Btu/h)									
		Entering Water Temperature (°F), Entering Air Temperature (65°F)									
		110	120	130	140	150	160	170	180	190	200
Boost	3	2040	2516	2997	3480	3967	4457	4949	5443	5939	6437
Normal		1749	2096	2437	2773	3104	3432	3756	4078	4397	4713
Boost	1	1795	2214	2637	3063	3491	3922	4355	4790	5226	5664
Normal		1539	1844	2144	2440	2732	3020	3306	3589	3869	4147

Motor Power: 25W

Water content: 5 fl oz

Unit weight: 9.5lbs

Maximum inlet water temperature 200°F

Heat outputs tested in accordance with BS 4856 Part 1

Supply: 110V AAC 60Hz

Max working pressure: 145psi

Water connections: 1/2" Sweat

Approximate Hydraulic Resistance through Units

g/min	ft wg
3	4.9
1	0.75

Weight, Water Content and Motor Power

Model	Motor Power (W)	Water Content (fl oz)	Unit Weight (lbs)
5000	25	5	9.5
9000	40	11.5	11

5.0

6.0

7.0

8.0

9.0 Operating Instructions

This unit is controlled by the switch on the front of the unit.
Ensure the electricity supply is switched on.

Heating Mode

The fan will only operate when

- The central heating boiler is on
- The pump is running
- The system water temperature is greater than 110°F.

Ensure boiler is on, and set timer, boiler controls and room thermostats as necessary.

- Set fan speed switch to normal position.
- The unit will now run on low fan speed. For satisfactory operation the mean water temperature should not be below 140°F.

Temperature Control

The room thermostat setting should be gradually adjusted to obtain the desired temperature.

The fan speed can be set to boost by switching the fan speed switch to II.

A low speed setting is recommended for normal operation with the higher speeds for boost heating when required.

Low Limit Operation

The low limit thermostat fitted to the WHISPA III® will ensure that the fan stops after the heating system is switched off and the water flow stops. If left in an operating position the unit will automatically restart when the heating system is reheated.

Off Position

Set the fan speed selector switch to the off position.

10.0 Troubleshooting

Once installed this fan convactor becomes an integral part of a complete heating system that includes boiler, pump, other emitters such as radiators and fan convectors, and a number of heating controls, dependent on system complexity. An apparent

problem with this unit may be the result of system controls being incorrectly set and can be solved easily without calling out your installer or MYSON. Before calling your installer or MYSON, please carry out the checks listed below.

Problem	Possible Causes	Remedy
Heating Mode - No Fan	Room thermostat not calling for heat	Turn up room thermostat
	Unit not switched on at breaker panel	Switch on breaker
	Breaker tripped at panel	Check all wiring, reset breaker
	Water temperature reaching unit below 110°F	Check boiler - Programmer ON Boiler ON and set to high Circulating pump running
Heating Mode poor heating performance and/or unit cycles on low limit thermostat	Low water temperature to unit	Turn up boiler thermostat
	Poor water flow	Vent air from heating system

If the fan convactor is still faulty after checking the above, call your installer or MYSON.

10.0 Troubleshooting (continued...)

Common Installation Faults

For optimum performance, this unit must be correctly sized to match the heat loss requirements of the space it is required to

heat, and the heating system must be correctly designed to provide adequate flow of hot water to the unit (see Section 2). If the recommendations in Section 2 are not followed, problems may arise as detailed below.

Problem	Possible Causes
Poor heating performance	Unit incorrectly sized for heat loss of room
Poor heating performance (unit may cycle on low limit thermostat)	Boiler thermostat set too low
	Lack of flow to fan convactor - Pump set on low setting Isolating valves not fully open System incorrectly balanced with unit starved of hot water flow Pipe sizing to unit too small

11.0 Maintenance

Before undertaking any maintenance activity isolate the electrical supply.

Maintenance should be restricted to occasional removal of dust and lint around the front overplate.

This unit should be serviced periodically by a competent person. This should involve internal cleaning of the heat exchanger using a soft brush or vacuum cleaner, taking care not to damage fan or heat exchanger.

Spares List

Description	Part Number	Quantity
Motor / Fan Assembly	7100088	1
Fan Speed switch	1300025	1
Low Limit Thermostat	1260007	1
Floor Grille	1310001	1



MYSON

MYSON Inc. 948 Hercules Drive, Suite 5, Colchester, Vermont VT05446
T: (802) 654-7500, F: (802) 654 7022, info@mysoninc.com, www.mysoninc.com



heatingthrough**innovation.**